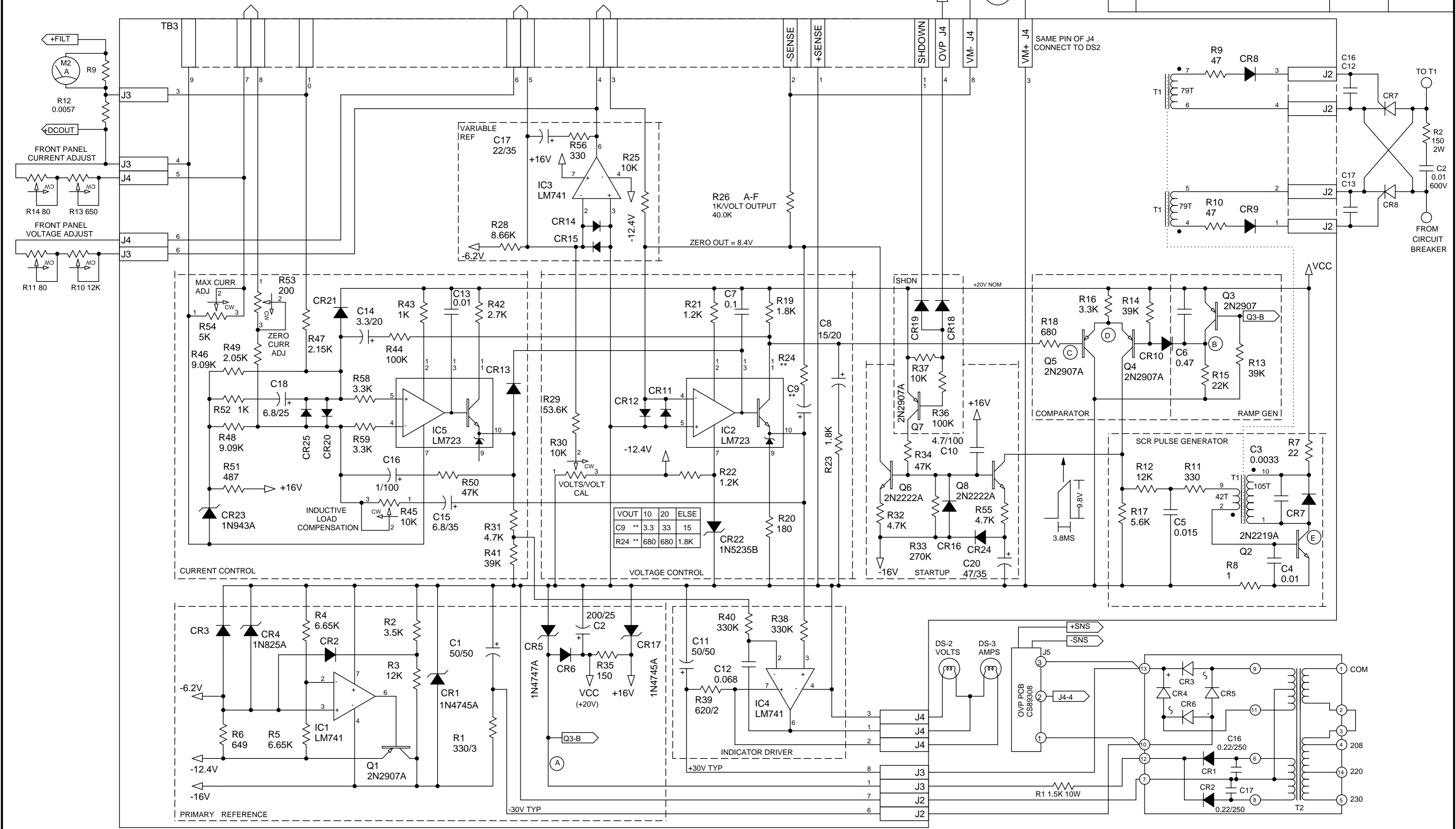


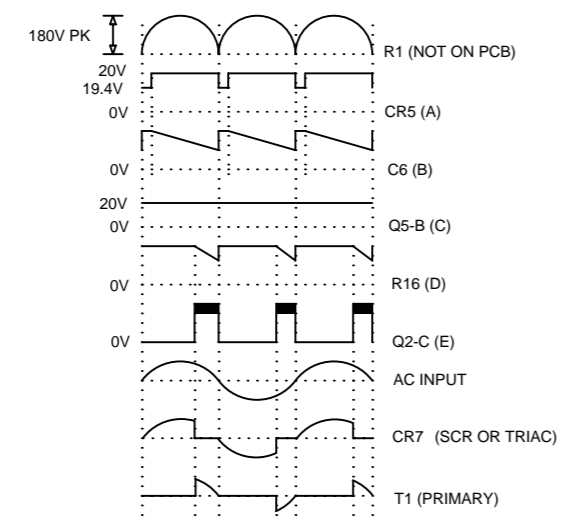
NOTES: UNLESS OTHERWISE SPECIFIED

REVISIONS			
REV	DESCRIPTION	DATE	APPROVED



NOTES: UNLESS OTHERWISE SPECIFIED.

- ALL DIODES S12 TYPE
- REFERENCE DESIGNATORS OUTSIDE OUTLINE ARE FOR 1800/2300 WATT MODELS.
- RESISTORS OF 2SD ARE 1/2W 10%, VALUES OF 3SD ARE 1/8W 1%.
- CAPACITOR VALUES ARE IN MICRO-FARADS.



CAD GENERATED DRAWING, DO NOT MANUALLY CHANGE

ITEM NO.	QTY	CAGE	PART OR IDENTIFYING NO.	DESCRIPTION	MATERIAL SPECIFICATION
PARTS LIST					
UNLESS OTHERWISE SPECIFIED DIMENSIONS ARE IN INCHES TOLERANCES ARE: FRACTIONS DECIMALS ANGLES .XX ±0.3 0 30° ± .XXX ±0.10					
INTERPRET DRAWING PER DOD-STD-100 INTERPRET DIMENSIONS AND TOLERANCES PER ANSI Y14.5M-1982 REMOVE ALL BURRS AND SHARP EDGES 43R MAX ABBREVIATIONS PER MIL-STD-12 SURFACE ROUGHNESS ✓ HOLED TOLERANCES PER AND10387					
CONTACT NO.		DATE			
DRAWN		4/1987			
CHECKED		TITLE			
ENGINEER		DCR-B CONTROL PCB SCHEMATIC DIAGRAM			
PROJ ENGR		SIZE		FSCM NO.	
APPROVED		C		DWG. NO.	
DA		SCALE		SHEET	
DO NOT SCALE DRAWING		NONE		1 OF 1	

NEXT ASSY	USED ON

APPLICATION UNLESS OTHERWISE SPECIFIED IN CONTRACT, APPLICATION DATA IS ONLY FOR