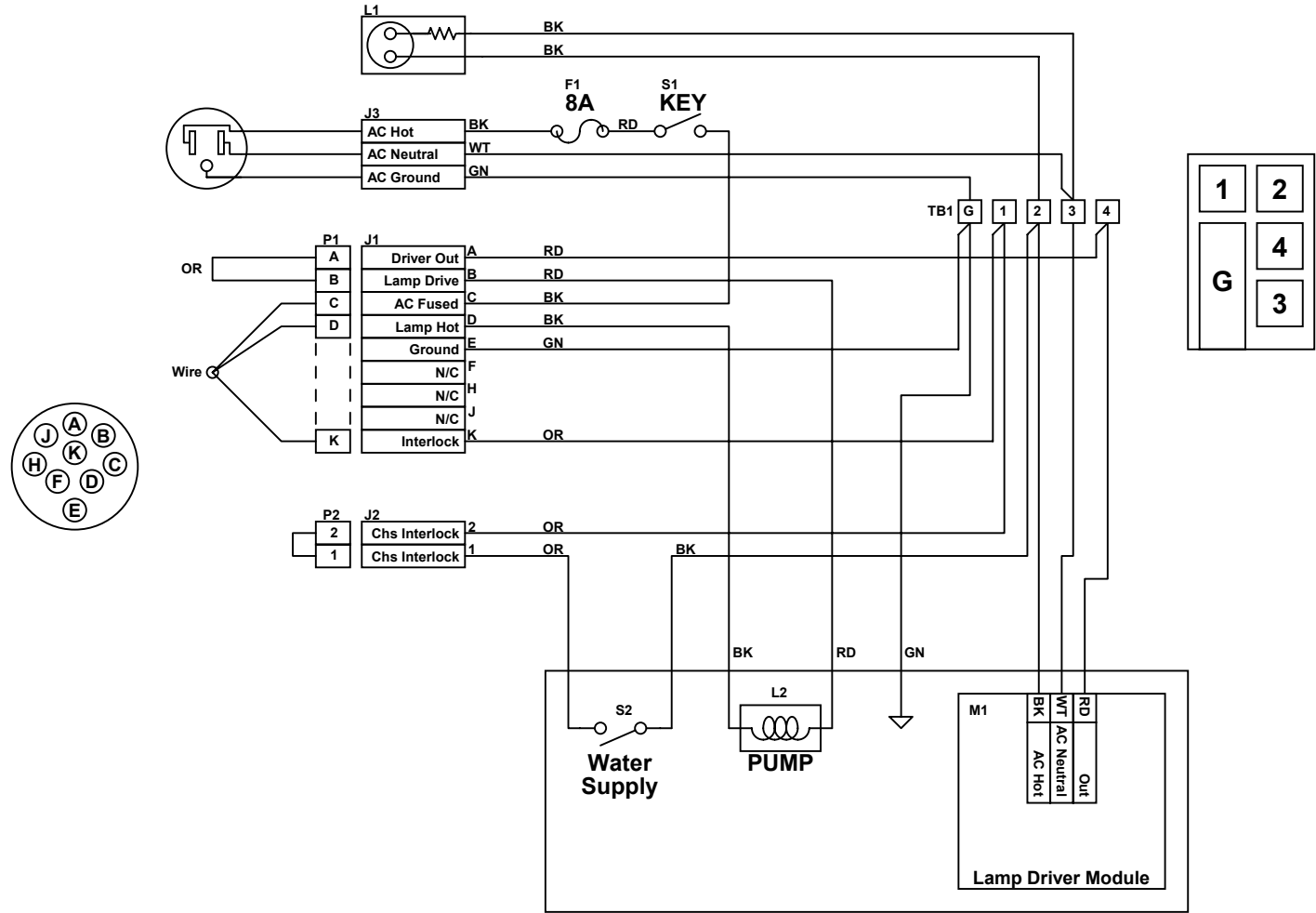


REVISION HISTORY			
REV	DESCRIPTION	APPROVED	DATE



APPROVALS		DATE	TITLE	
DRAWN	J TAYLOR	2005/01/07	General Photonics TWO-10 100W CW Nd-YAG laser	
CHECKED				
ENGINEER				
PROJ ENGINEER				
APPROVED				
QA				
SIZE	B	FSCM NO.	DRAWING NO.	REV.
SCALE	NONE	MODIFIED: 08/06/06 2:29:37 PM	0564.DSN	-
SHEET		1 OF 1		