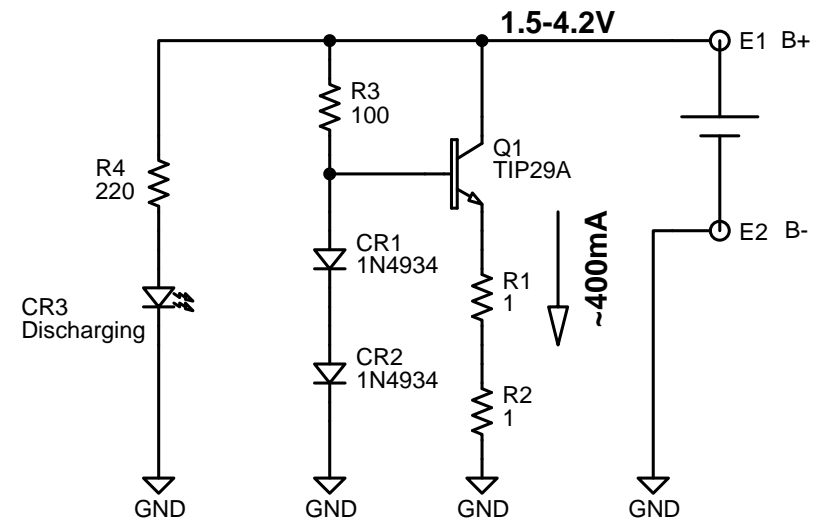


REVISION HISTORY			
REV	DESCRIPTION	APPROVED	DATE



APPROVALS		DATE	TITLE		
DRAWN	J TAYLOR	12/03/09	Simple CC battery discharger		
CHECKED					
ENGINEER					
PROJ ENGINEER			SIZE	FSCM NO.	DRAWING NO.
APPROVED			B		0121.DSN
QA			SCALE	© 2009 TES	MODIFIED: 12/03/09 3:44:04 PM
			NONE		SHEET 1 OF 1