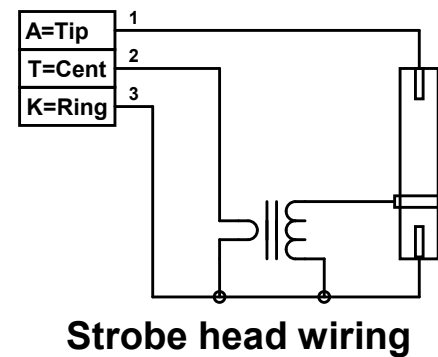
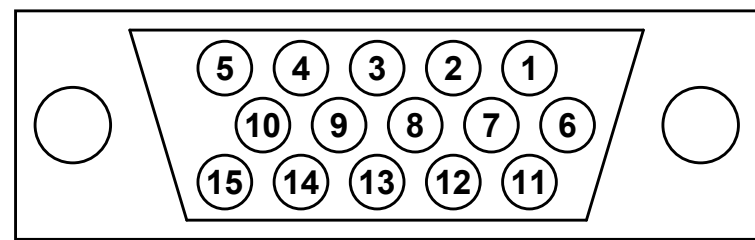
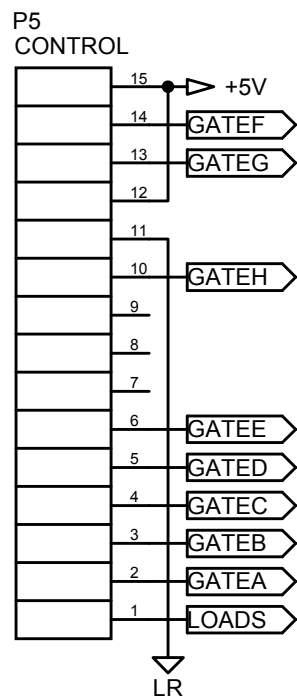
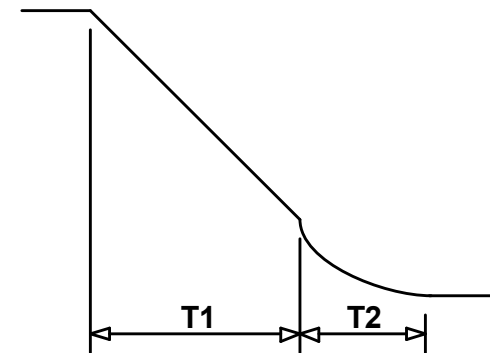
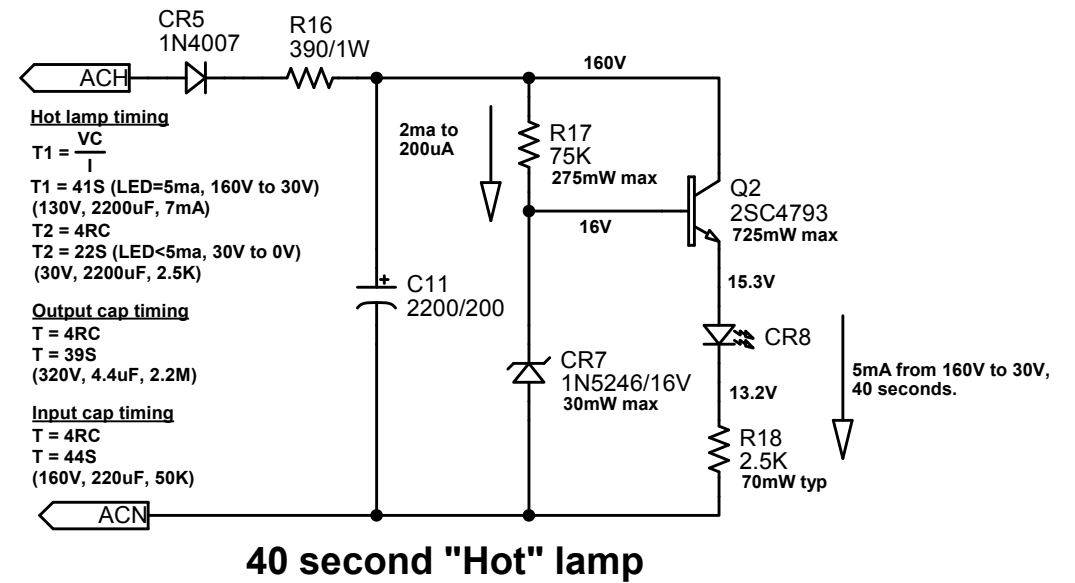
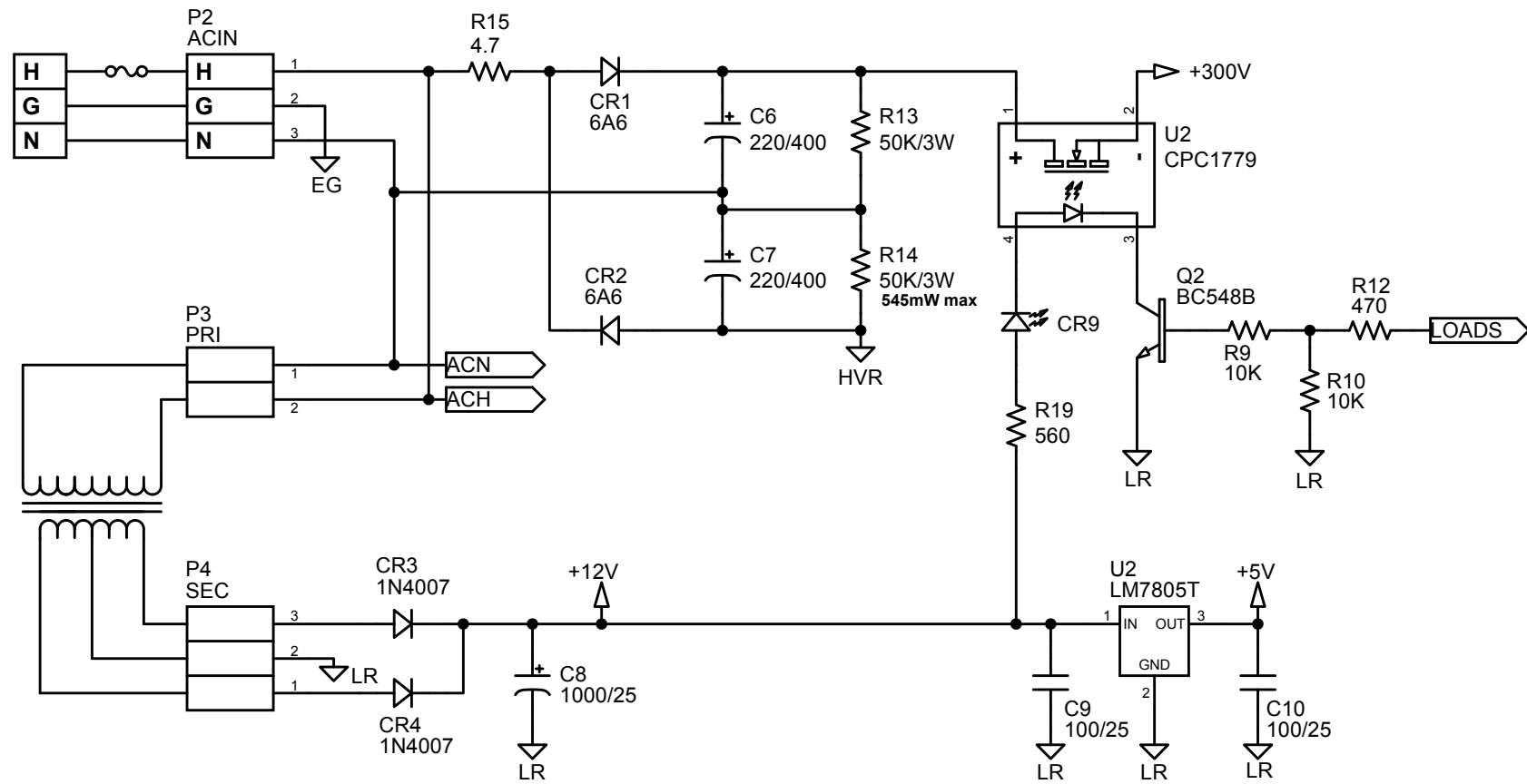


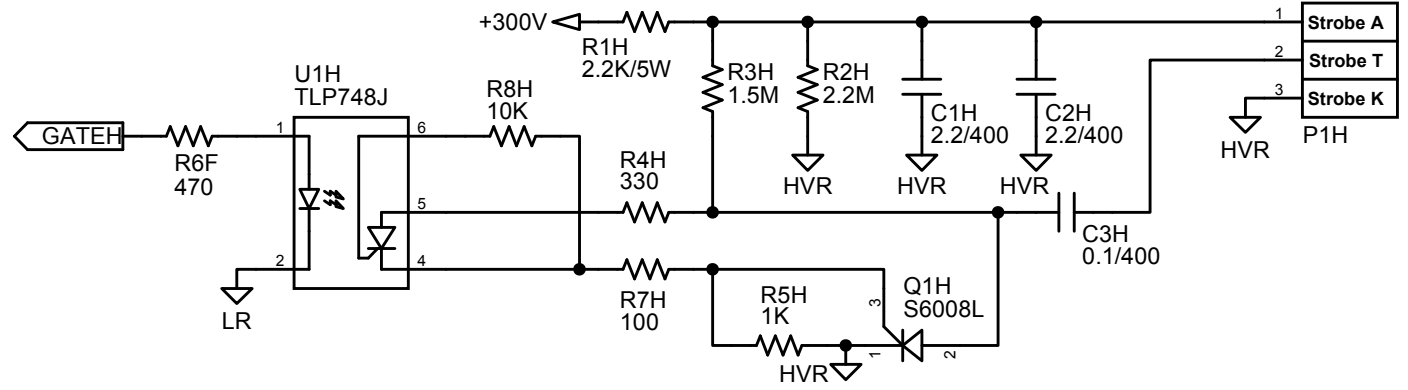
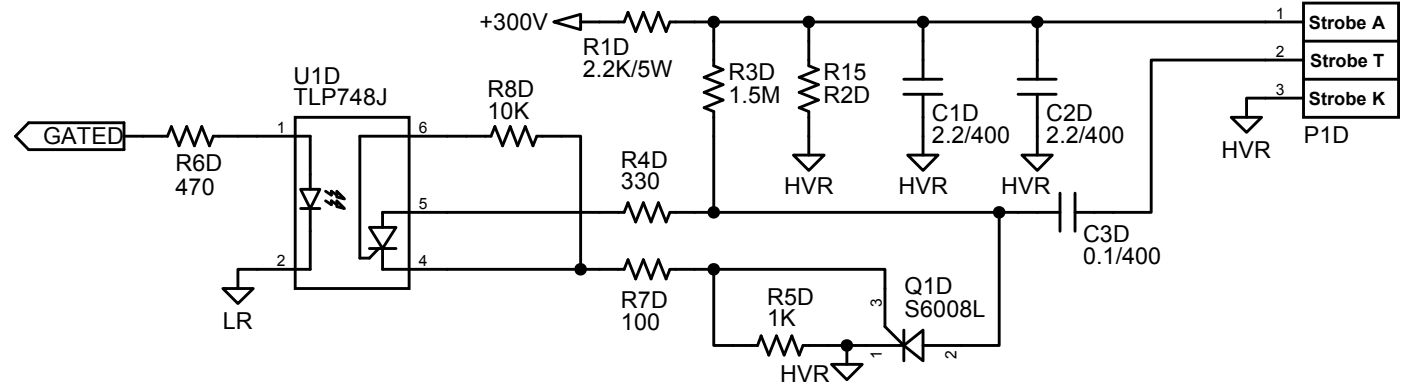
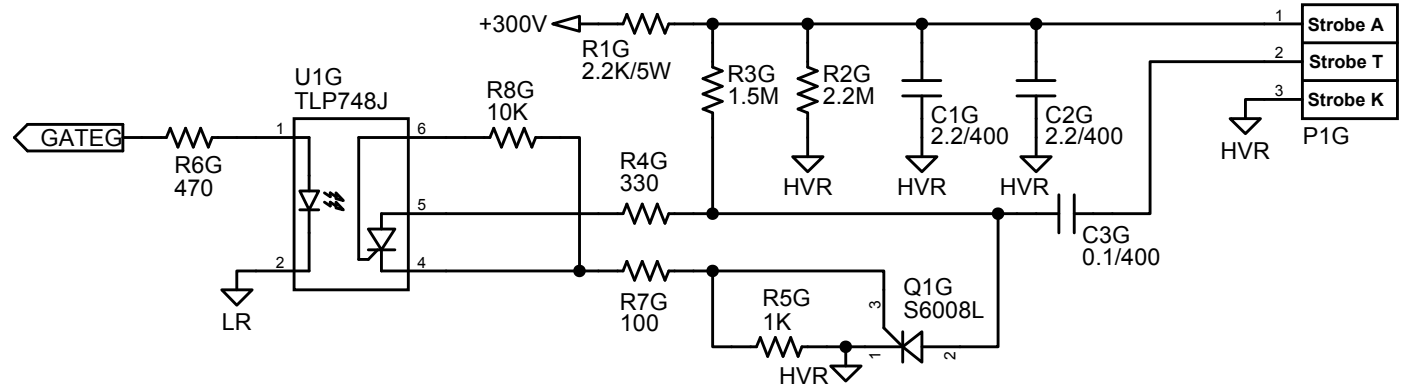
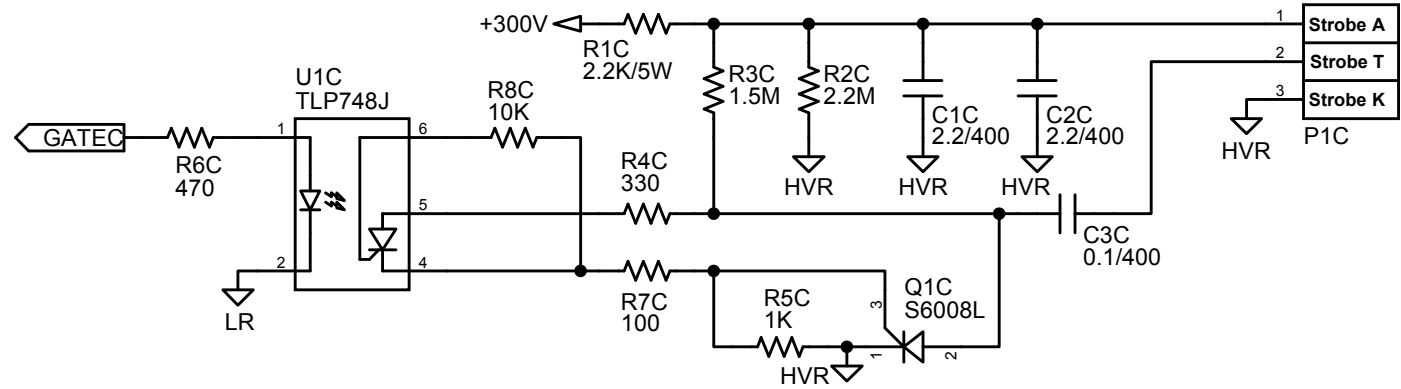
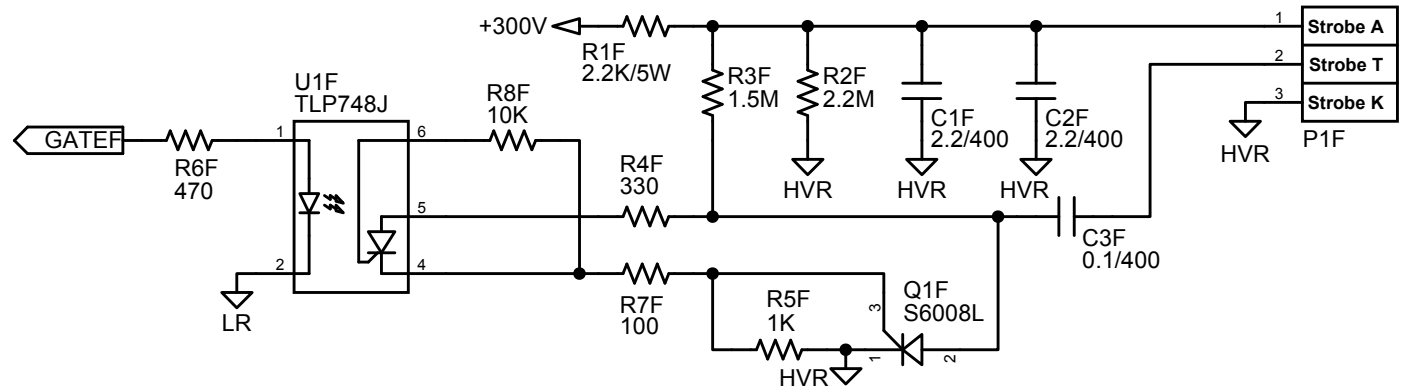
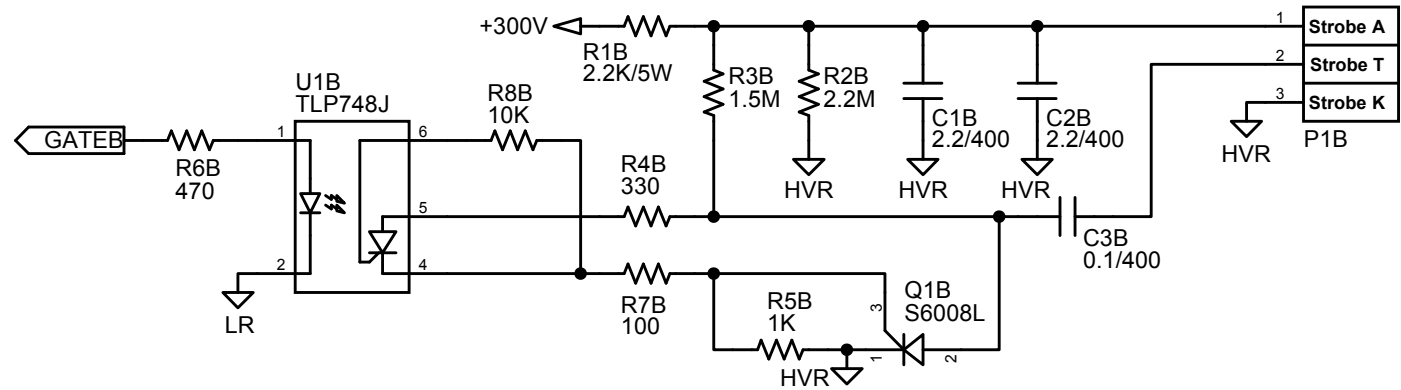
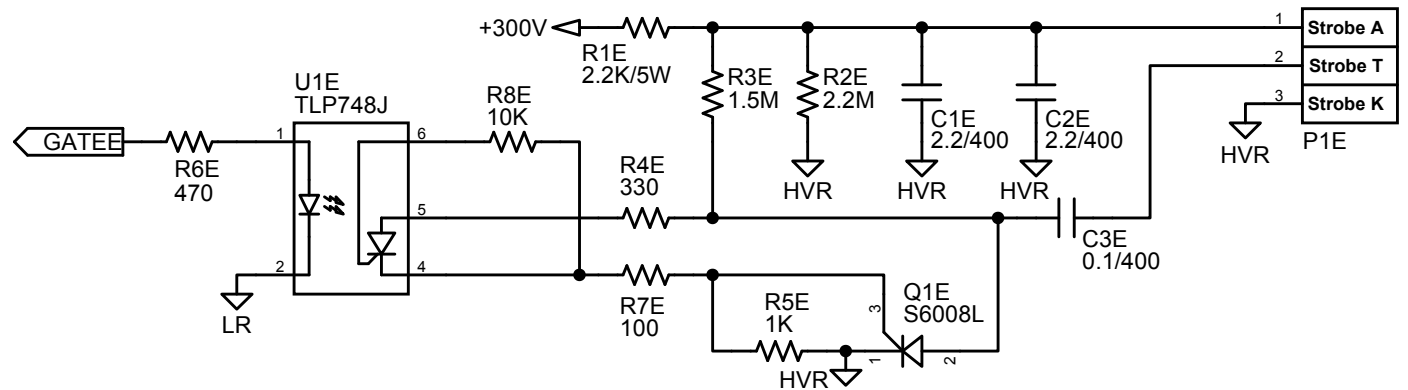
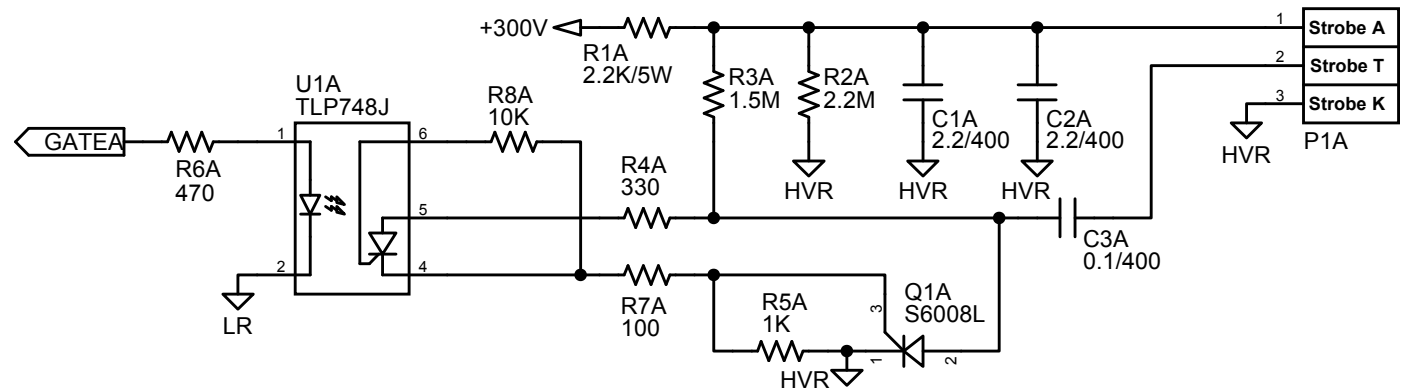
REVISION HISTORY			
REV	DESCRIPTION	APPROVED	DATE



APPROVALS		DATE	TITLE	
DRAWN	J TAYLOR	01/08/12	Psychophotonics strobe power supply and trigger. (See http://www.psychophotonics.com/index.html)	
CHECKED				
ENGINEER				
PROJ ENGINEER			SIZE	FSCM NO.
APPROVED			B	DRAWING NO. 0149A.DSN
QA			SCALE	NONE
			© 2009 TES	MODIFIED: 01/12/12 4:11:37 PM
			SHEET	1 OF 2
			REV.	A

NOTES: UNLESS OTHERWISE SPECIFIED

REVISION HISTORY			
REV	DESCRIPTION	APPROVED	DATE



APPROVALS		DATE	TITLE		
DRAWN	J TAYLOR	01/08/12	Psychophotonics strobe power supply and trigger.		
CHECKED					
ENGINEER					
PROJ ENGINEER			SIZE	FSCM NO.	DRAWING NO.
APPROVED			B		0149A.DSN
QA			SCALE	© 2009 TES	MODIFIED: 01/12/12 4:11:37 PM
				SHEET	2 OF 2