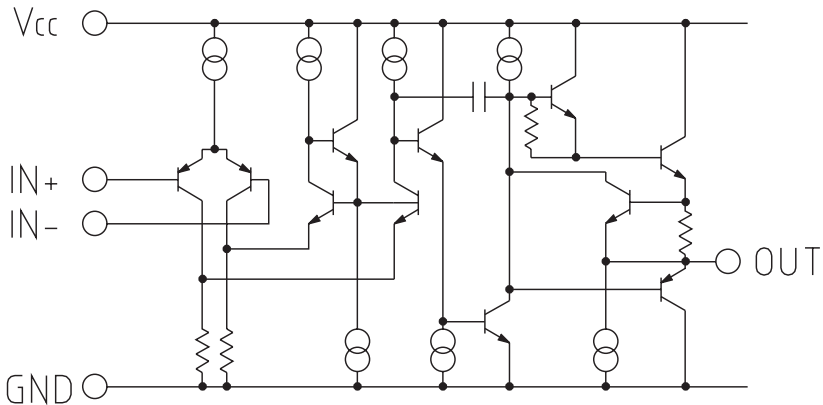


Page 2: Mitsumi MM1377 amplifier schematic

Page 3: National LM358 amplifier schematic



Amplifier section

