

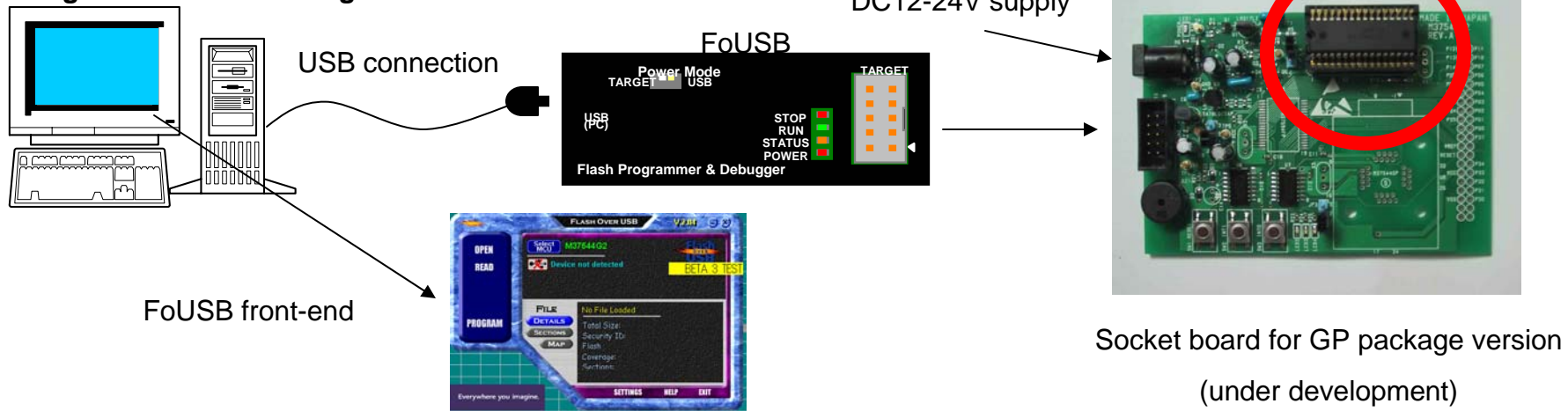
# 7544 QzROM Low-cost Programmer

Under development

## Overview

- The users' program is written to 7544QzROM from PC via FoUSB.
- Each package of 7544QzROM is supported. Writing boards for SP and GP version are available.

## Configuration when writing



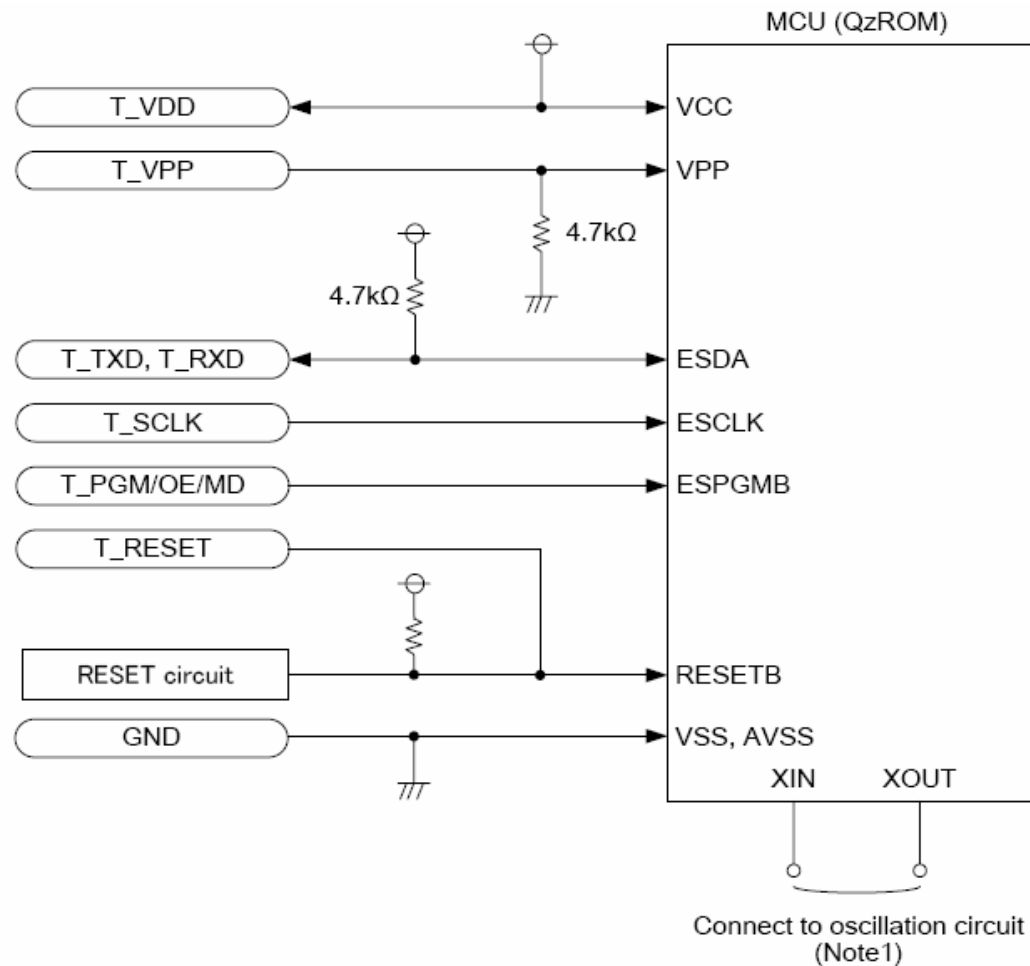
## Features

- Realized low-cost 7544QzROM writing.
- for DC12 - 24V power supply

## Accessories

- CD-ROM Manual, FoUSB front-end
- Notice: USB Flash Writer M3A-0665 (FoUSB) and DC power source are not attached.

# Programming Schematic Connection Diagram



Note 1. You should be connect to oscillation circuit.