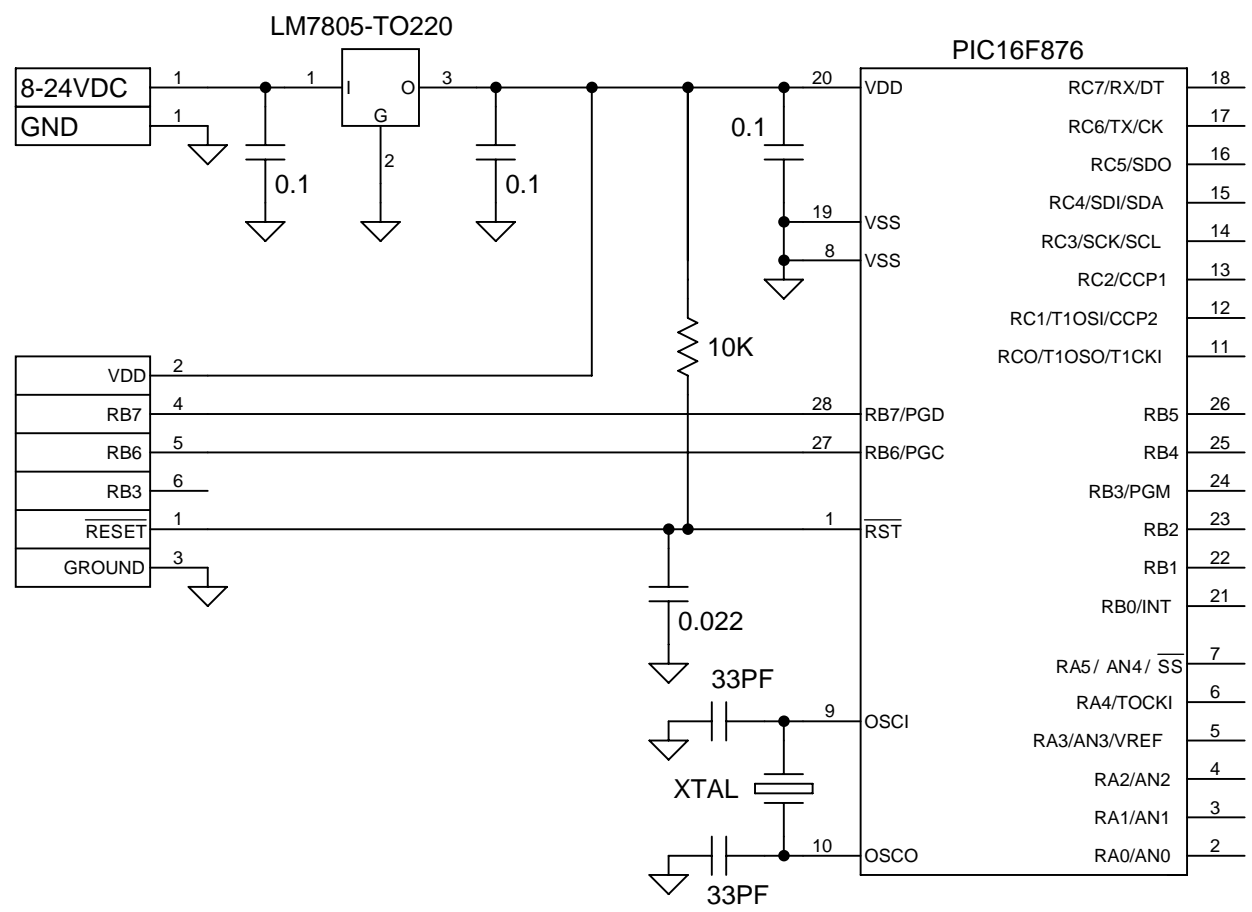
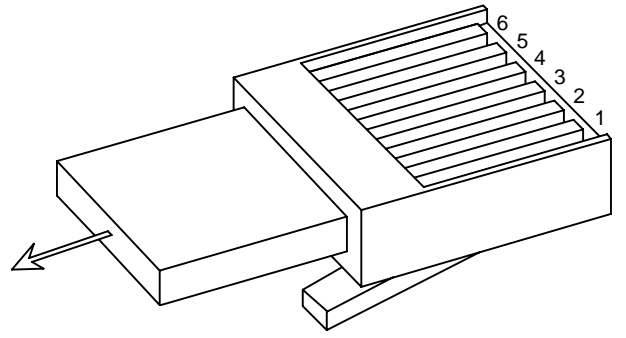


NOTES: UNLESS OTHERWISE SPECIFIED

| REVISIONS |             |      |          |
|-----------|-------------|------|----------|
| REV       | DESCRIPTION | DATE | APPROVED |
|           |             |      |          |



THIS PINOUT IS THE SAME AS THE ICD MODULE ITSELF. THIS IS THE OPPOSITE OF THE WAY IT IS DONE ON THE MICROCHIP DEMO BOARD. THE CABLE FROM TES IS PINNED 1-1 VS THE CABLE FROM MICROCHIP WHICH IS PINNED 1-6.



USER AVAILABLE PORTS

CAD GENERATED DRAWING, DO NOT MANUALLY CHANGE

| ITEM NO.  | QTY REQD | CAGE CODE | PART OR IDENTIFYING NO. | DESCRIPTION | MATERIAL SPECIFICATION   |
|---|----------|-----------|-------------------------|-------------|--|
| <b>PARTS LIST</b>   |          |           |                         |             |  |
| UNLESS OTHERWISE SPECIFIED<br>DIMENSIONS ARE IN INCHES<br>TOLERANCES ARE:<br>FRACTIONS    DECIMALS    ANGLES<br>±                    .XX ±03    0 3# °<br>.XXX ±010 |          |           | CONTACT NO.             |             | TITLE<br><b>TYPICAL MINIMUM ICD INTERFACE<br/>           R/C RESET NETWORK - CRYSTAL</b> |
| INTERPRET DRAWING PER DOD-STD-100   |          |           | APPROVALS      DATE     |             |  |
| INTERPRET DIMENSIONS AND TOLERANCES PER ANSI Y14.5M-1982  |          |           | DRAWN                   |             |  |
| REMOVE ALL BURRS AND SHARP EDGES .03R MAX   |          |           | CHECKED                 |             |  |
| ABBREVIATIONS PER MIL-STD-12  |          |           | ENGINEER                |             |  |
| SURFACE ROUGHNESS ✓   |          |           | PROJ ENGR               |             |  |
| HOLED TOLERANCES PER AND10387   |          |           | APPROVED                |             |  |
| DO NOT SCALE DRAWING  |          |           | QA                      |             | SIZE    FSCM NO.    DWG. NO.    REV.<br><b>B</b> <b>0004.S01</b> -                       |
| SCALE    NONE    Mon Mar 17 2003    SHEET    1    OF    1   |          |           |                         |             |  |

|  |         |
|--|---------|
| NEXT ASSY  | USED ON |
| APPLICATION UNLESS OTHERWISE SPECIFIED IN CONTRACT, APPLICATION DATA IS ONLY FOR |         |