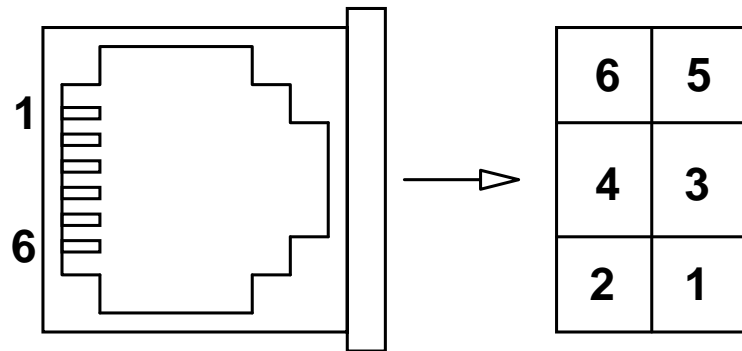
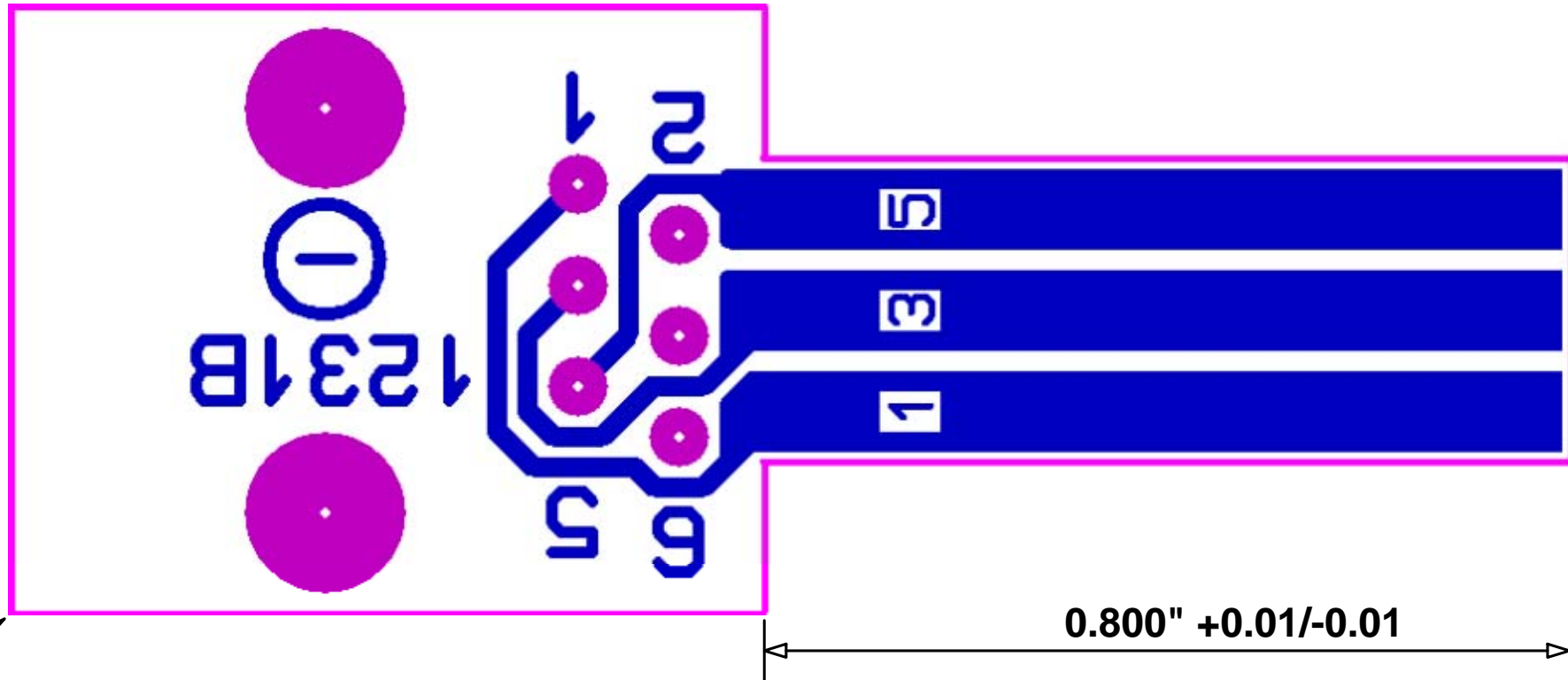
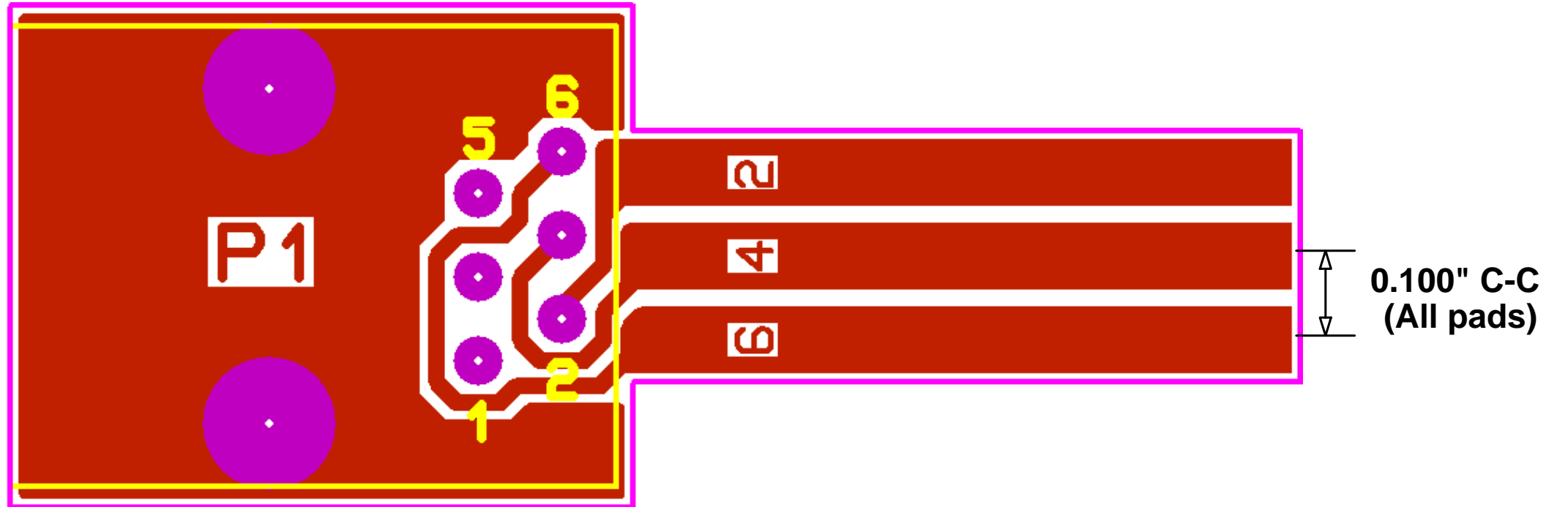


REVISION HISTORY			
REV	DESCRIPTION	APPROVED	DATE



Tyco 5569026-1 or equivalent



Adapter to Target, Top view

0.062" Thick FR4 or equivalent, no solder mask or silk screen.
Finish: Lead free HASL.

APPROVALS		DATE	TITLE		
DRAWN	J TAYLOR	07/22/10	RJ25 (6P6P) modular connector to 6 pin DIP header adapter.		
CHECKED					
ENGINEER					
PROJ ENGINEER			SIZE	FSCM NO.	DRAWING NO.
APPROVED			B		1231B.DSN
QA			SCALE	NONE	REV. -
			© 2009 TES	MODIFIED: 07/23/10 5:12:17 AM	SHEET 1 OF 1