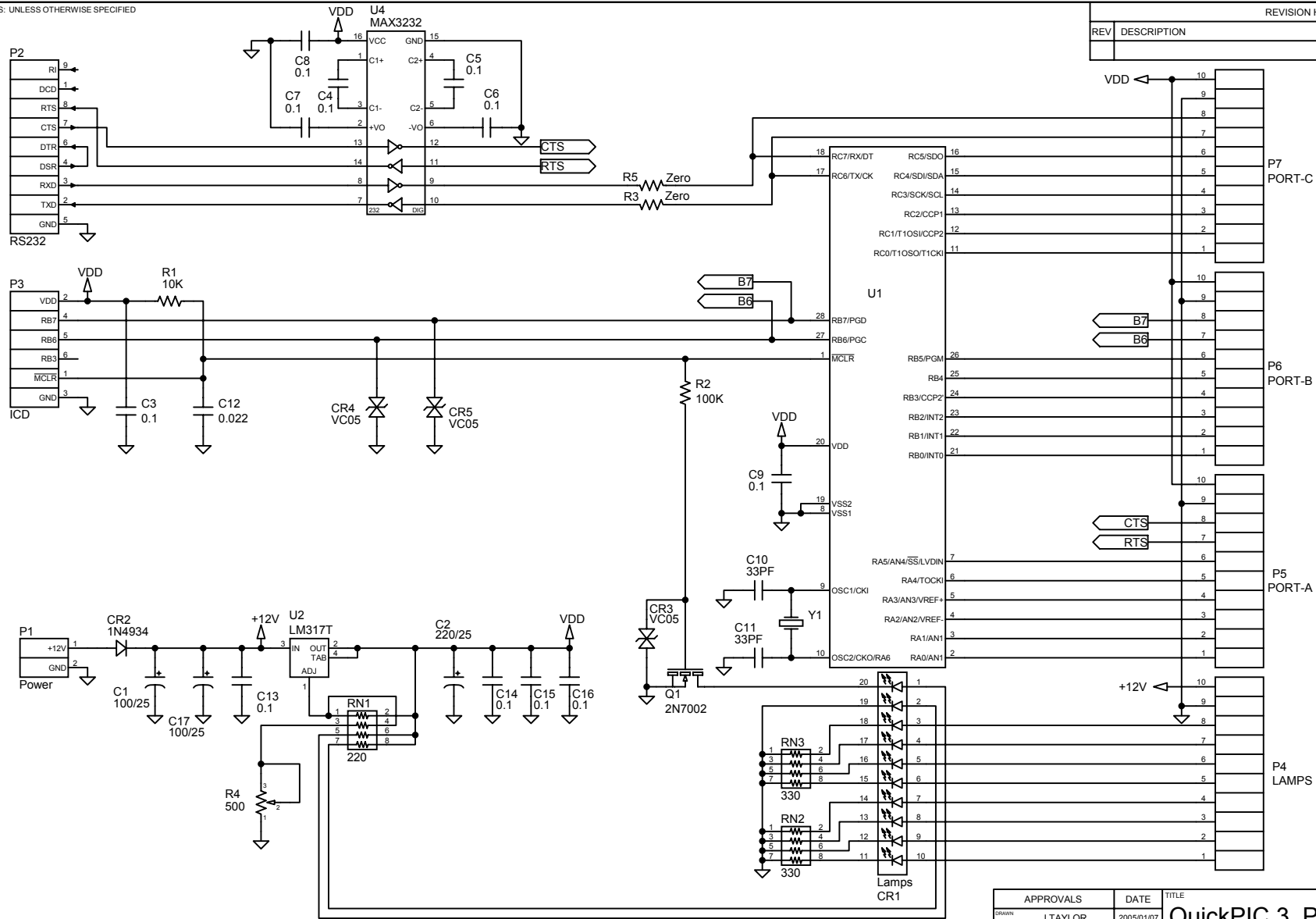


NOTES: UNLESS OTHERWISE SPECIFIED

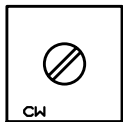


REVISION HISTORY		APPROVED	DATE
REV	DESCRIPTION		

APPROVALS		DATE	TITLE
DRAWN	J TAYLOR	2005/01/07	QuickPIC 3, PIC16F876/PIC18F252 Prototyping Board
CHECKED			
ENGINEER			
PRG ENGINEER			
APPROVED			
QA			
SIZE	B	FSCM NO.	DRAWING NO.
SCALE	NONE	MODIFIED: 09/25/06 9:32:22 AM	1313.DSN
		SHEET	1 OF 1

PIC16F876/18F252 TES QuickPIC-3

VDD



VDD ADJ
R4

Y1

