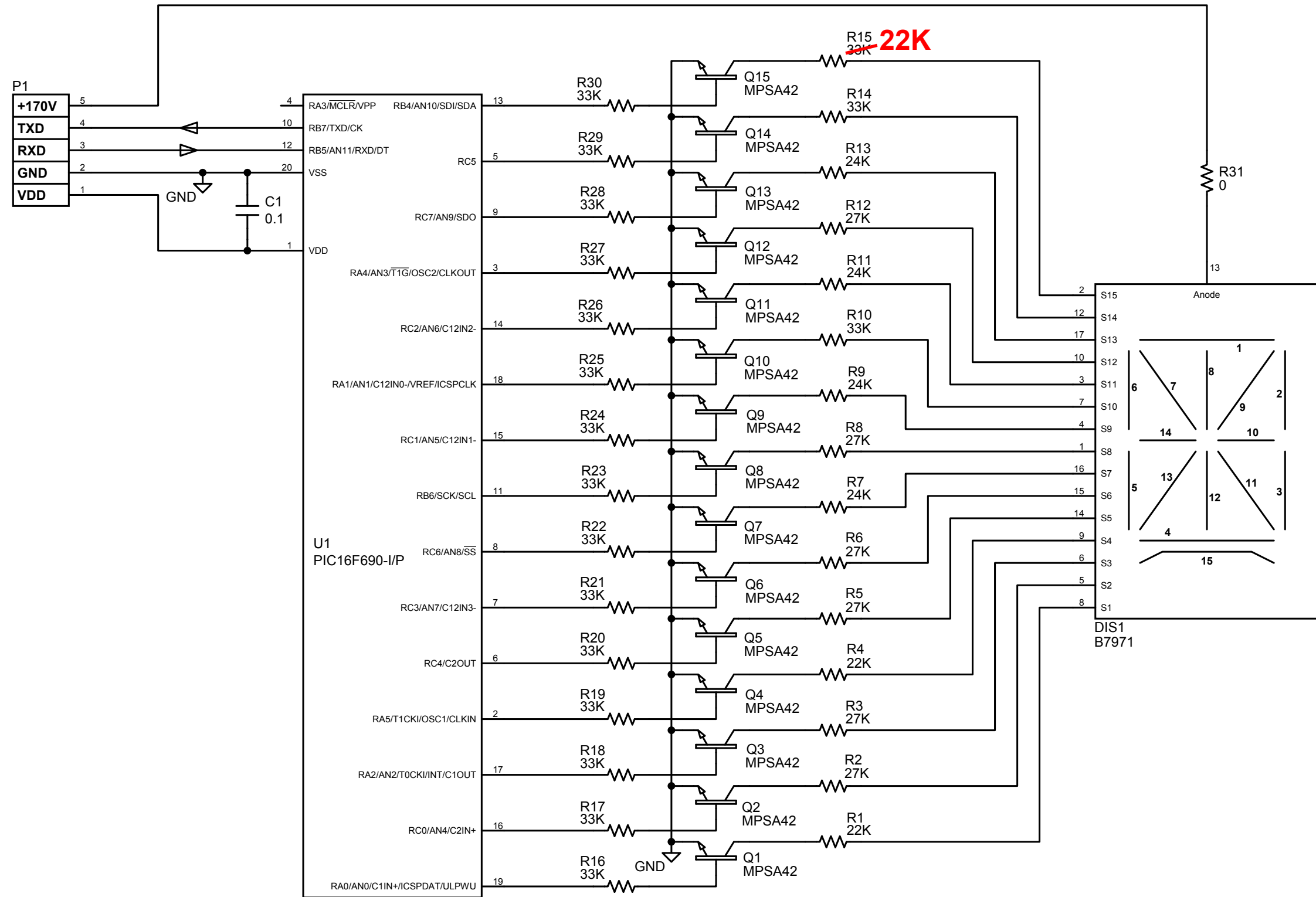


REVISION HISTORY			
REV	DESCRIPTION	APPROVED	DATE

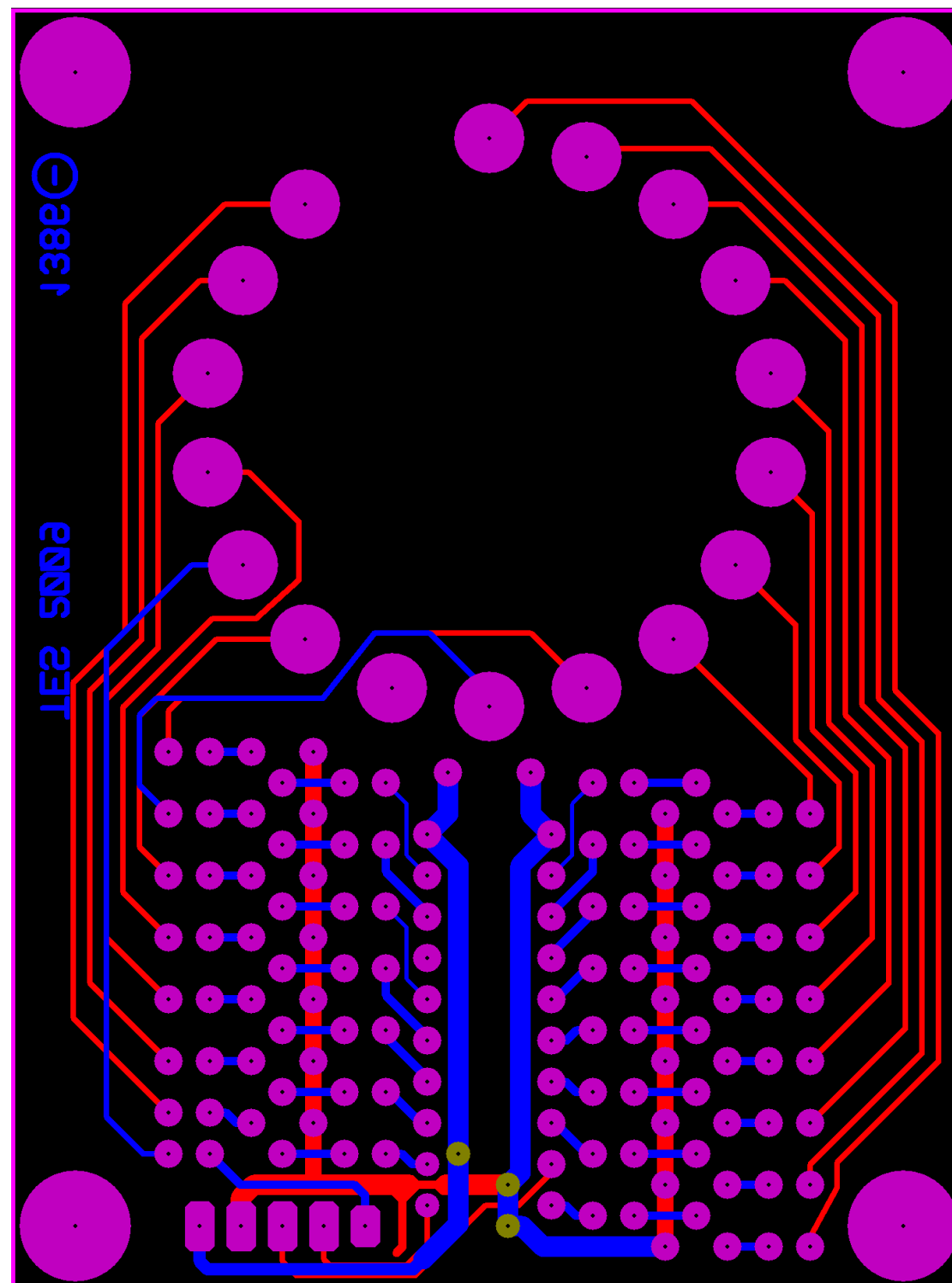


APPROVALS		DATE	TITLE	
DRAWN	J TAYLOR	06/13/09	B7971 Smart socket 14 segment display driver	
CHECKED				
ENGINEER				
PROJ ENGINEER			SIZE	FSCM NO.
APPROVED			B	
QA			SCALE	NONE
			© 2009 TES	MODIFIED: 06/19/09 6:44:59 PM
			DRAWING NO.	1386.DSN
			REV.	-
			SHEET	1 OF 4





REVISION HISTORY		
REV	DESCRIPTION	DATE



APPROVALS		DATE	TITLE		
DRAWN	J TAYLOR	06/13/09	B7971 Smart socket 14 segment display driver		
CHECKED					
ENGINEER					
PROJ ENGINEER			SIZE	FSCM NO.	DRAWING NO.
APPROVED			B		1386.DSN
QA			SCALE	© 2009 TES	MODIFIED: 06/19/09 6:44:59 PM
			NONE		SHEET 4 OF 4