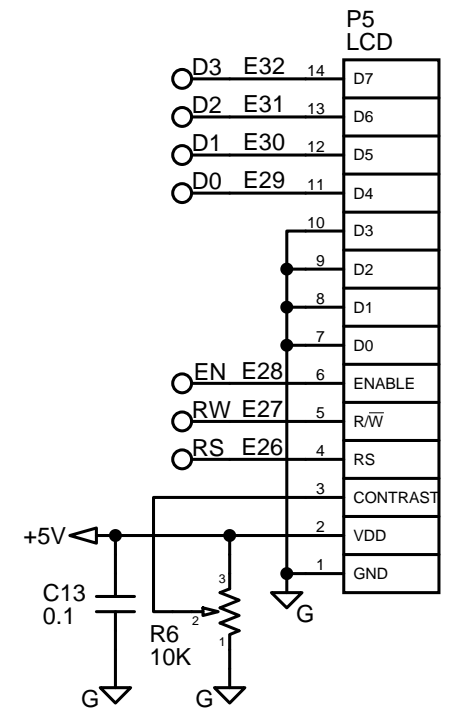
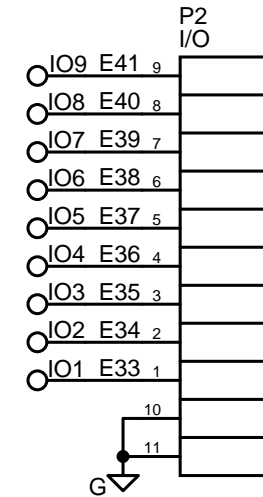
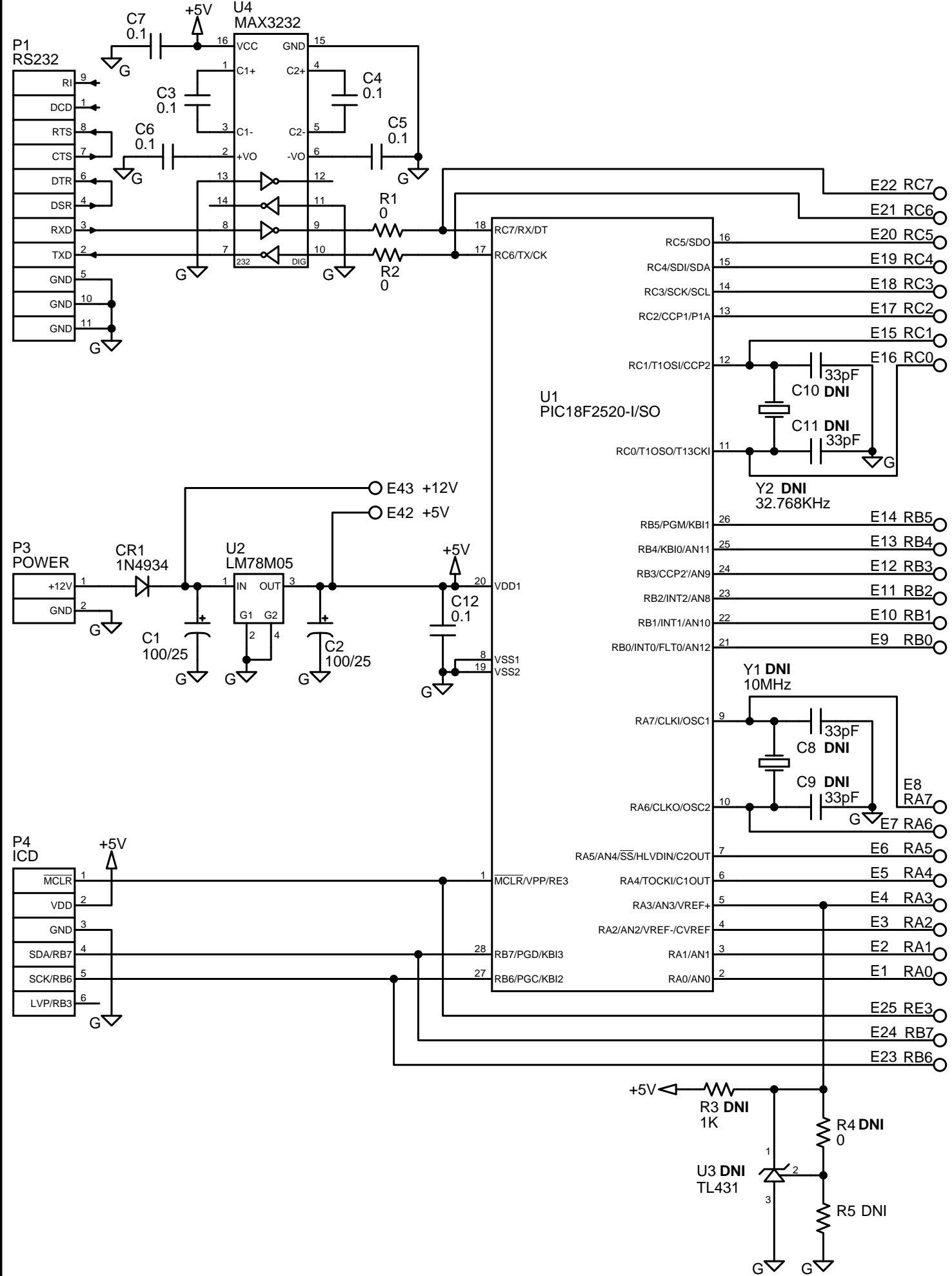


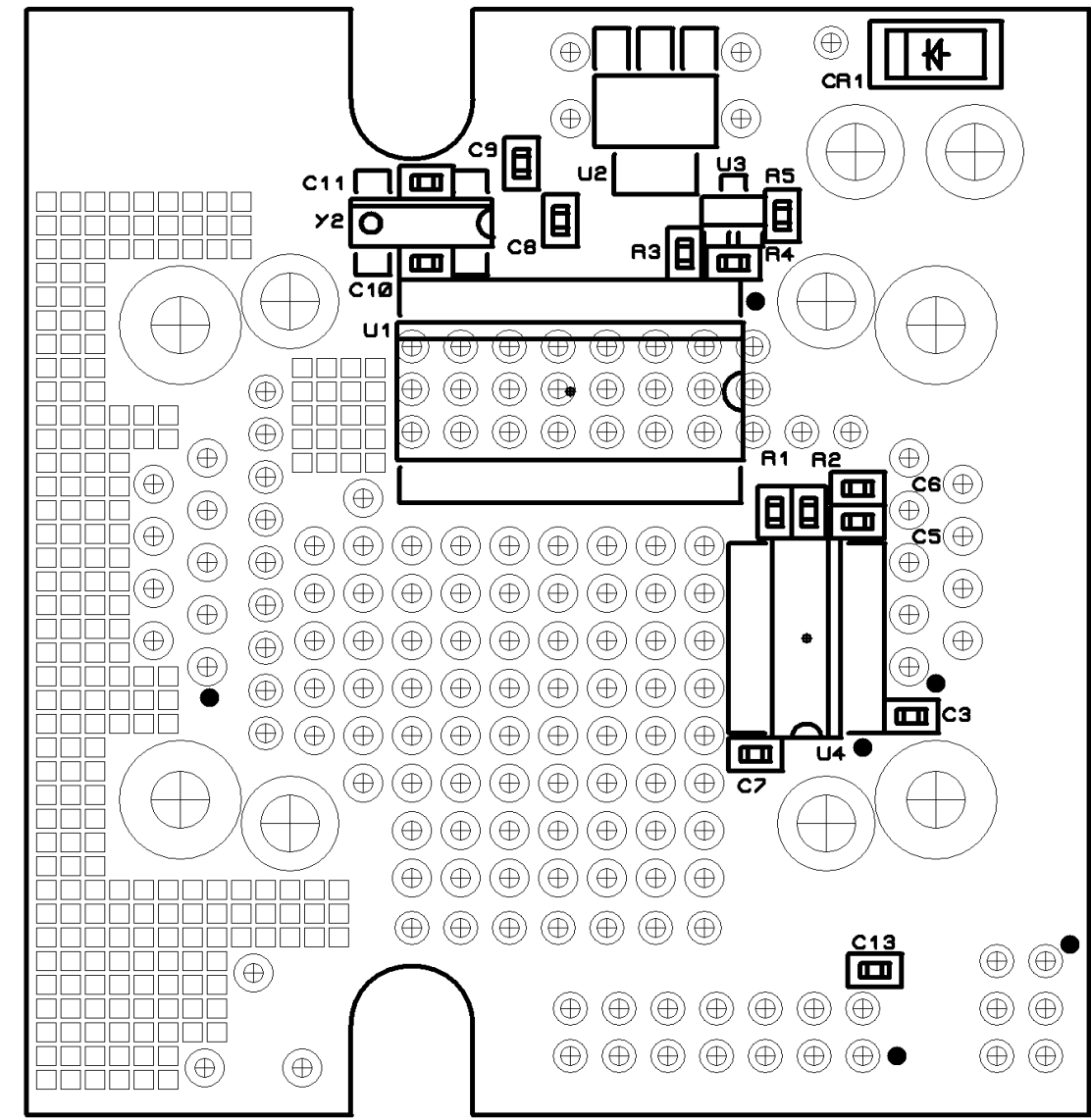
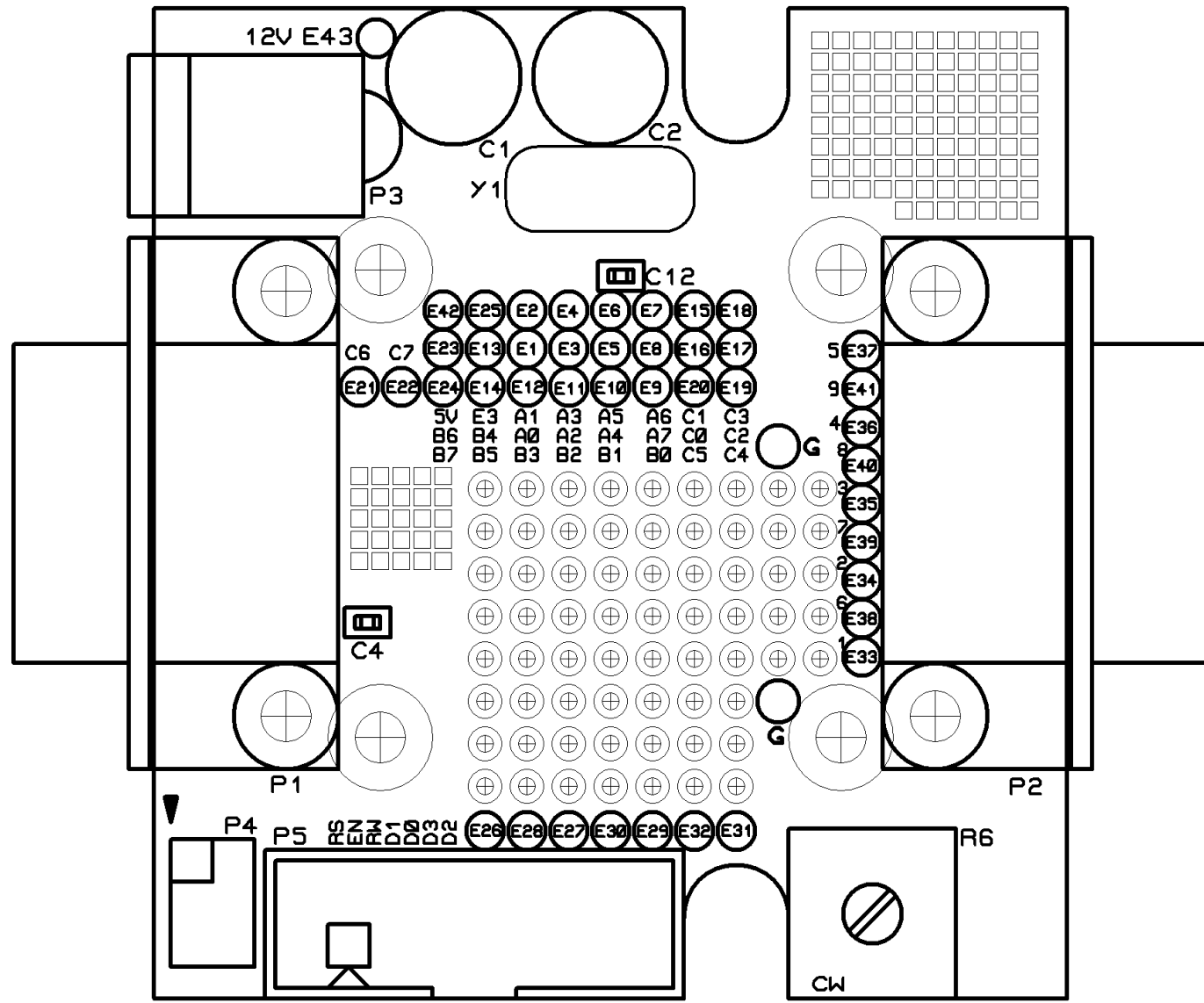
NOTES: UNLESS OTHERWISE SPECIFIED

REVISION HISTORY			
REV	DESCRIPTION	APPROVED	DATE



APPROVALS		DATE	TITLE	
DRAWN	J TAYLOR	10/23/09	Hammond 1593Kxx universal PIC18F2520 project box	
CHECKED				
ENGINEER				
PROJ ENGINEER			SIZE	FSCM NO.
APPROVED			B	DRAWING NO. 1394.DSN
QA			SCALE	NONE
			© 2009 TES	MODIFIED: 12/09/09 10:53:09 AM
			SHEET	1 OF 2

REVISION HISTORY			
REV	DESCRIPTION	APPROVED	DATE



APPROVALS		DATE	TITLE		
DRAWN	J TAYLOR	10/23/09	Hammond 1593Kxx universal PIC18F2520 project box		
CHECKED					
ENGINEER					
PROJ ENGINEER			SIZE	FSCM NO.	DRAWING NO.
APPROVED			B		1394.DSN
QA			SCALE	NONE	REV. -
			© 2009 TES	MODIFIED: 12/09/09 10:53:09 AM	SHEET 2 OF 2