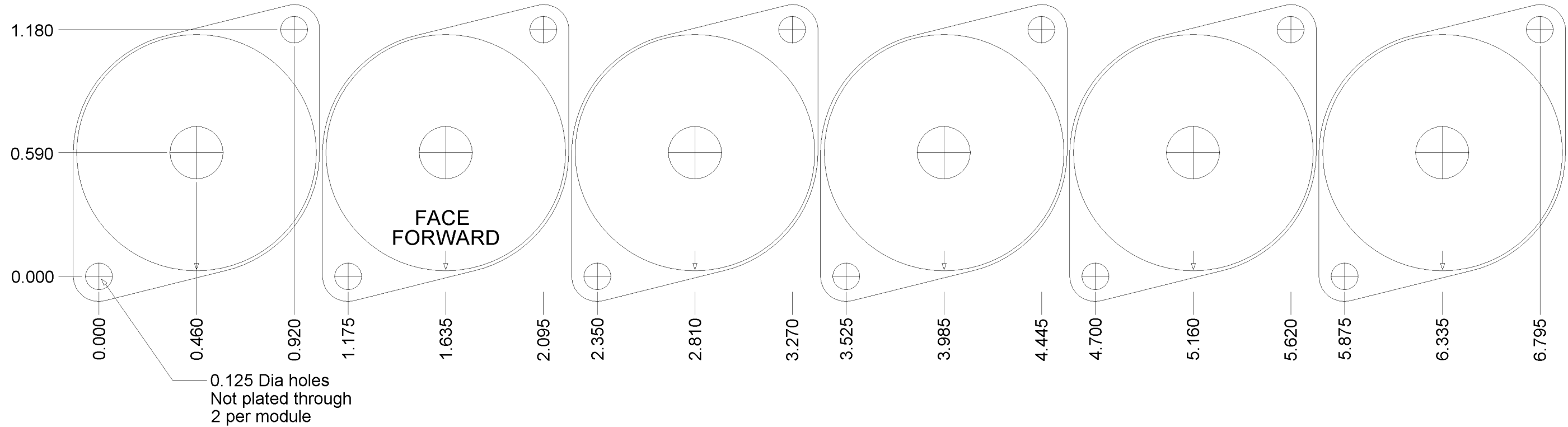
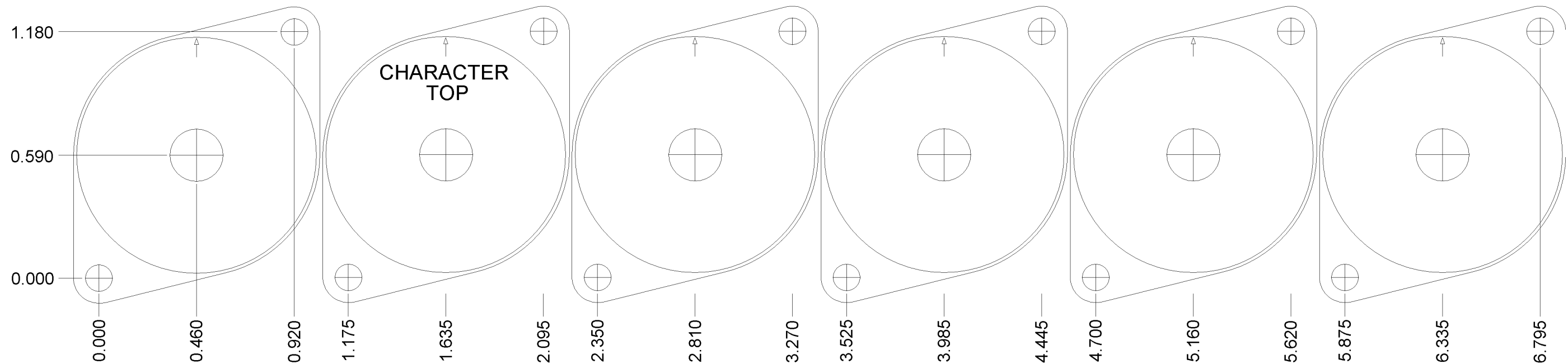


REVISION HISTORY			
REV	DESCRIPTION	APPROVED	DATE

ZM1040 TYPE FREE FIT

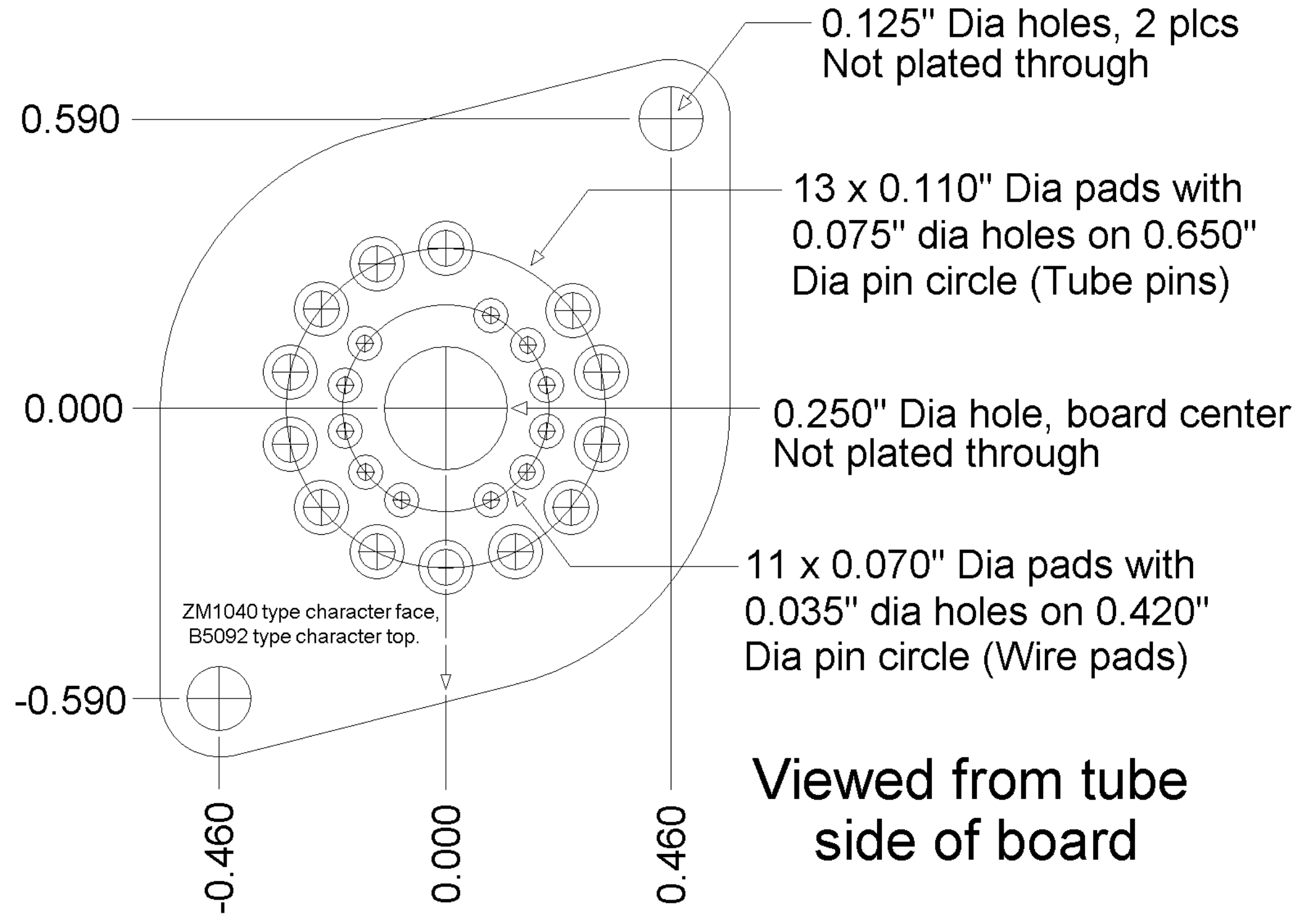
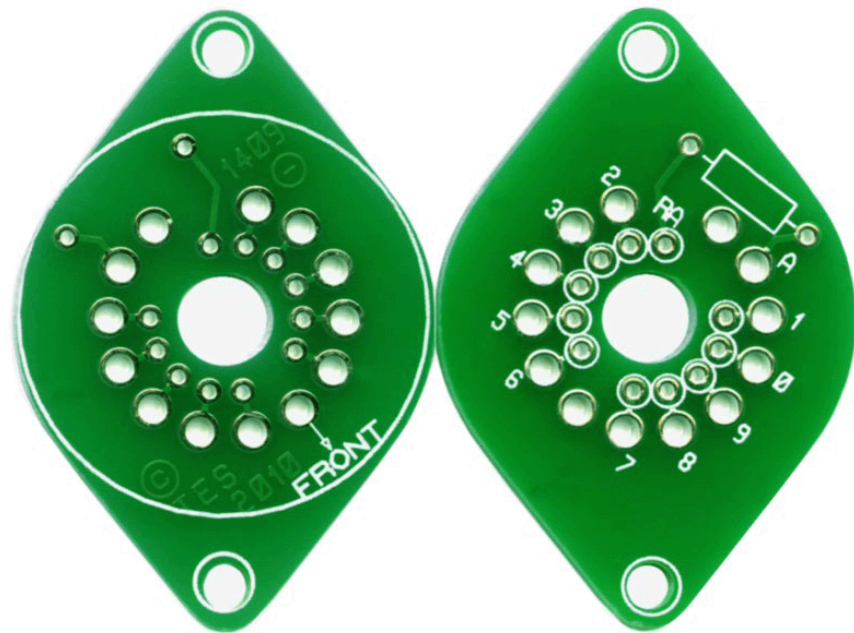


B5092 TYPE FREE FIT



APPROVALS		DATE	TITLE	
DRAWN	J TAYLOR	12/26/10	1409 ZM1040 / B5092 socket board mechanical layup, 6 tube array	
CHECKED				
ENGINEER				
PROJ ENGINEER			SIZE	FSCM NO.
APPROVED			B	
QA			DRAWING NO.	REV.
			1409-Mech.DSN	-
			SCALE	NONE
			© 2009 TES	MODIFIED: 12/26/10 3:24:57 PM
			SHEET	1 OF 2

REVISION HISTORY			
REV	DESCRIPTION	APPROVED	DATE



APPROVALS		DATE	TITLE		
DRAWN	J TAYLOR	12/26/10	1409 ZM1040 / B5092 socket board mechanical layup, 6 tube array		
CHECKED					
ENGINEER					
PROJ ENGINEER			SIZE	FSCM NO.	DRAWING NO.
APPROVED			B		1409-Mech.DSN
QA			SCALE	NONE	REV: -
			© 2009 TES	MODIFIED: 12/26/10 3:24:57 PM	SHEET 2 OF 2