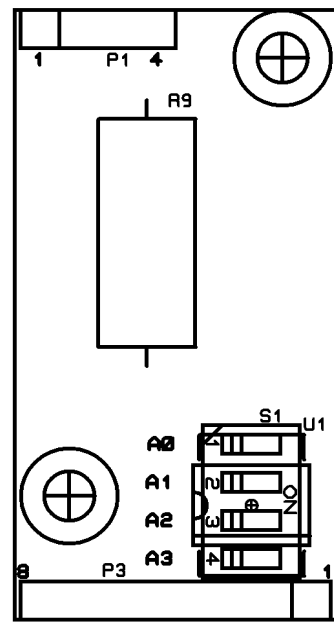
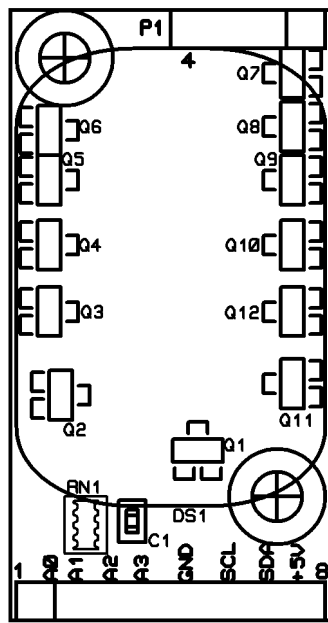
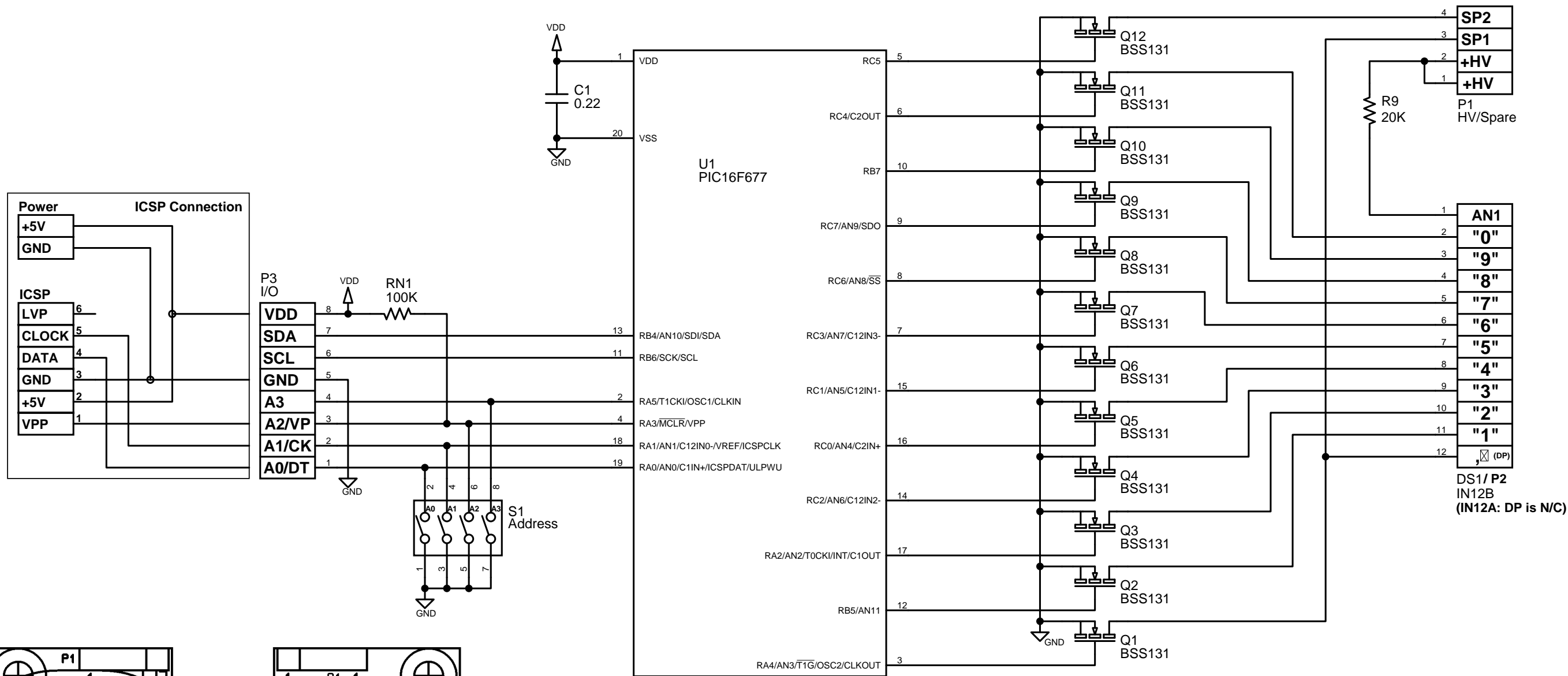


REVISION HISTORY			
REV	DESCRIPTION	APPROVED	DATE



APPROVALS		DATE	TITLE		
DRAWN	J TAYLOR	2007/03/12	SmartNixie I2C addressable module for IN12A/B nixie tubes		
CHECKED					
ENGINEER					
PROJ ENGINEER			SIZE	FSCM NO.	DRAWING NO.
APPROVED			B		1328C.DSN
QA			SCALE	NONE	©2007 Taylor Electronics Services
					SHEET 1 OF 1