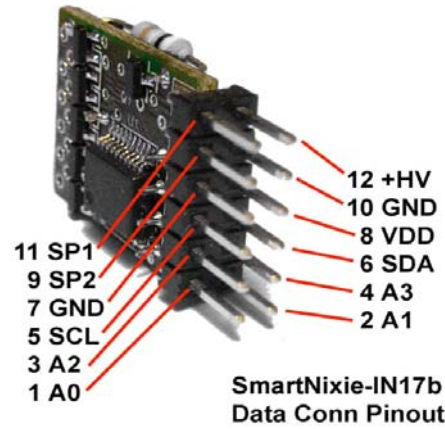
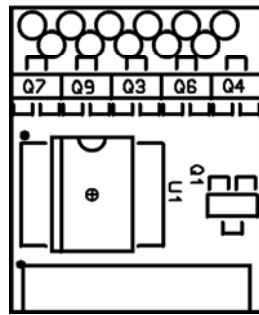
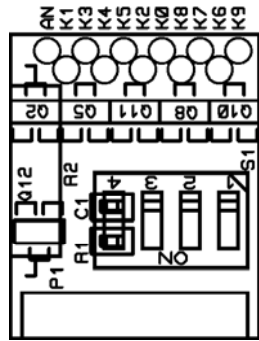
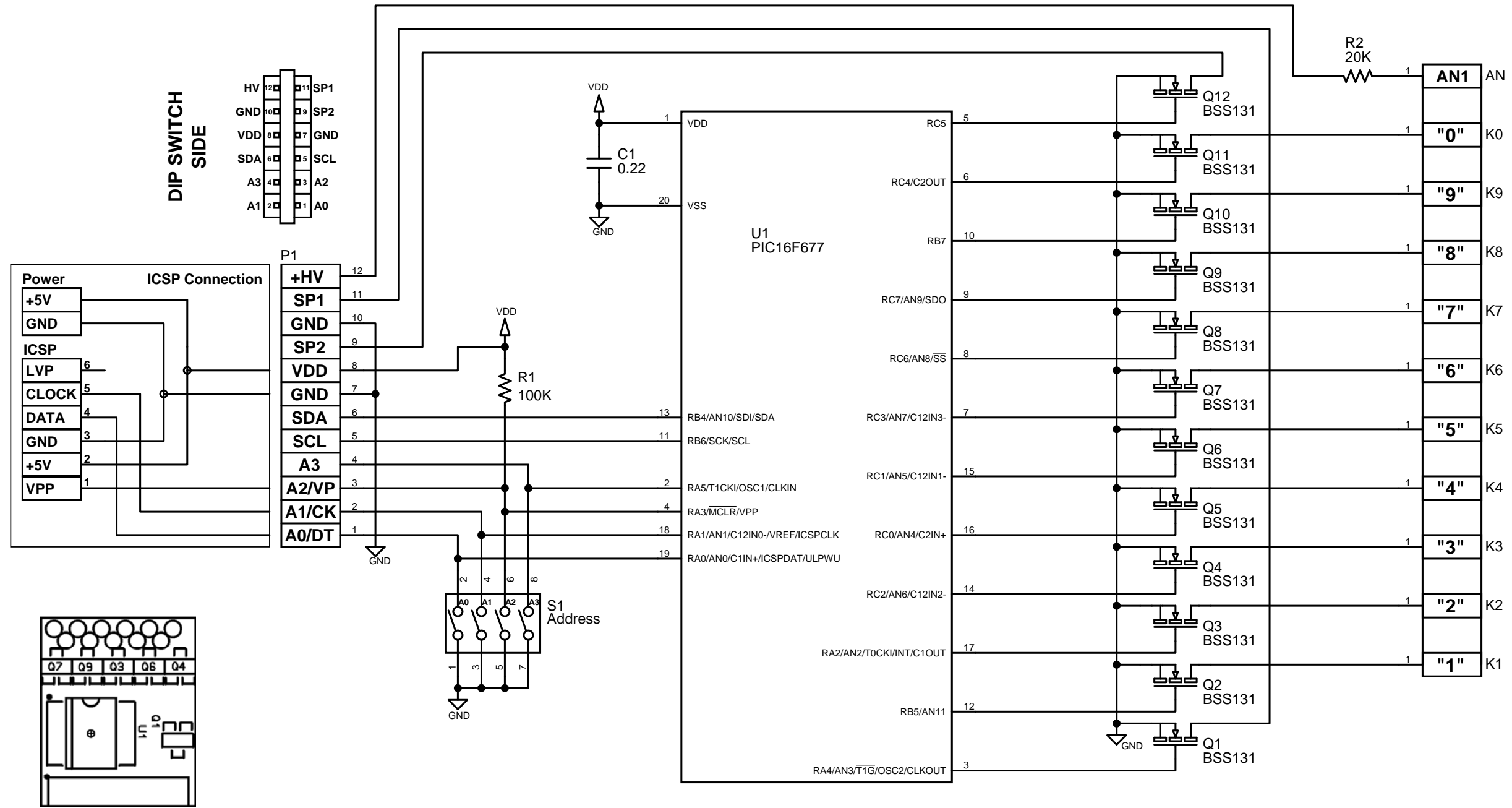
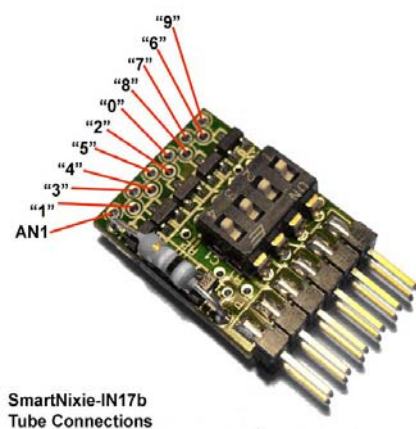


REVISION HISTORY			
REV	DESCRIPTION	APPROVED	DATE



SmartNixie-IN17b  
Data Conn Pinout



SmartNixie-IN17b  
Tube Connections



APPROVALS		DATE	TITLE		
DRAWN	J TAYLOR	2008/04/20	SmartNixie I2C addressable module for wire leaded nixie tubes		
CHECKED					
ENGINEER					
PROJ ENGINEER			SIZE	FSCM NO.	DRAWING NO.
APPROVED			B		1357.DSN
QA			SCALE	NONE	©2008 Taylor Electronics Services
					SHEET 1 OF 1