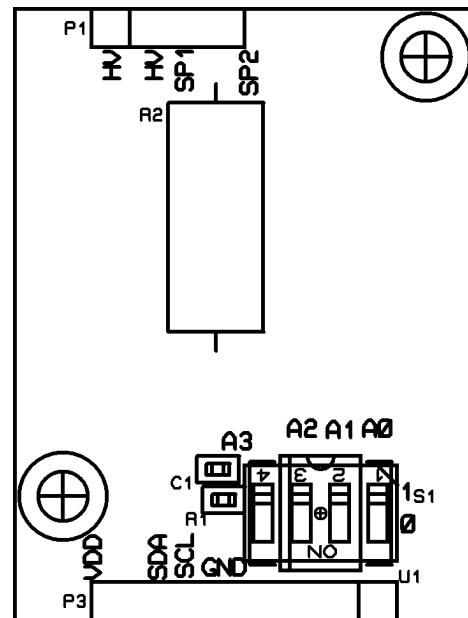
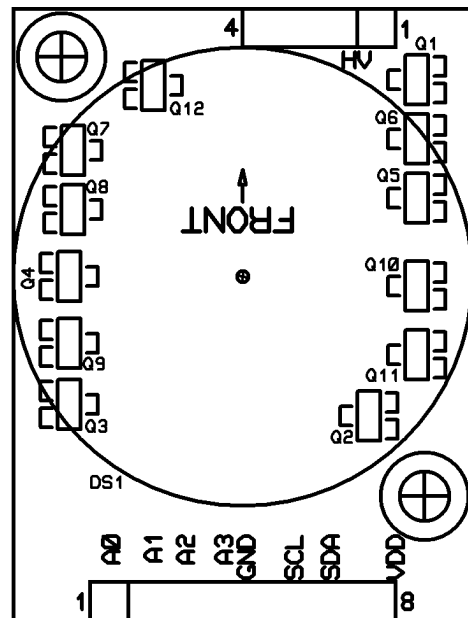
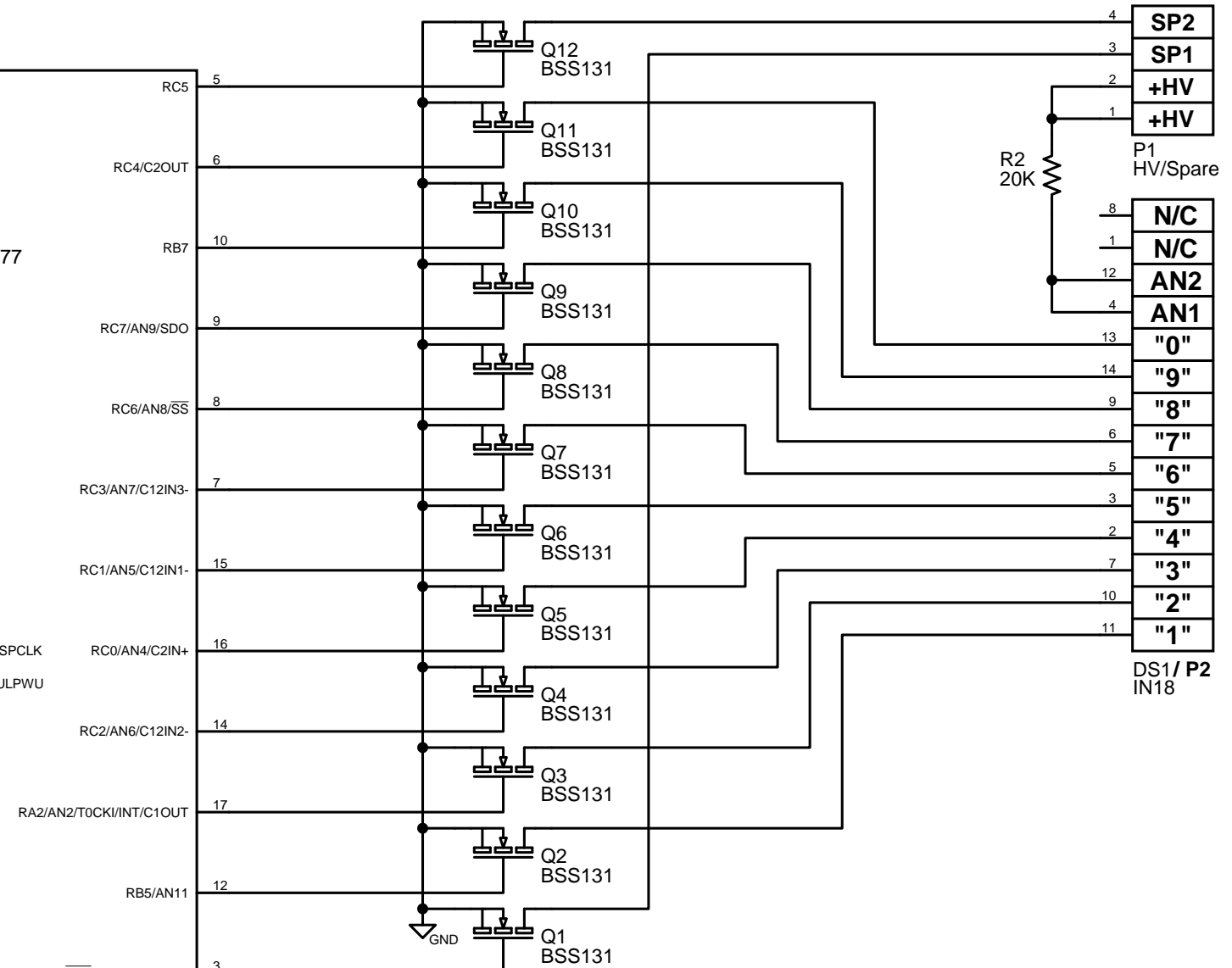
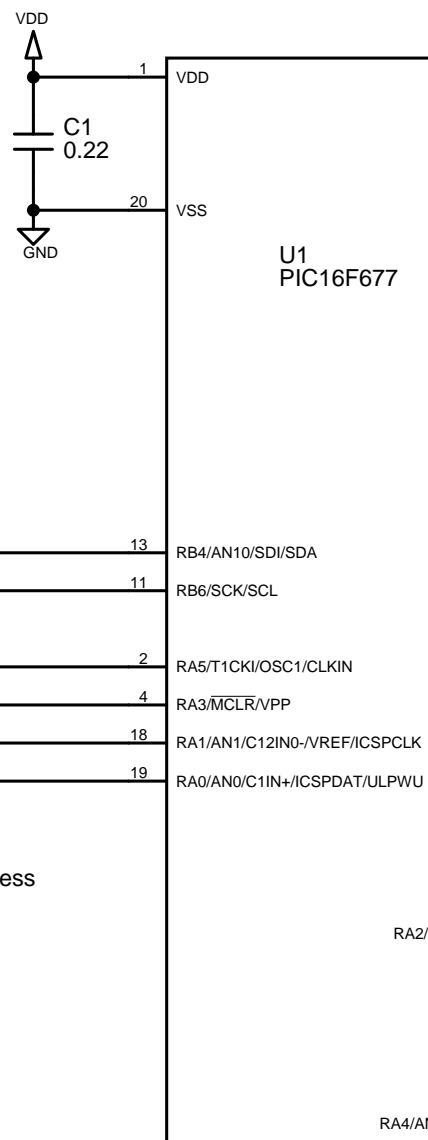
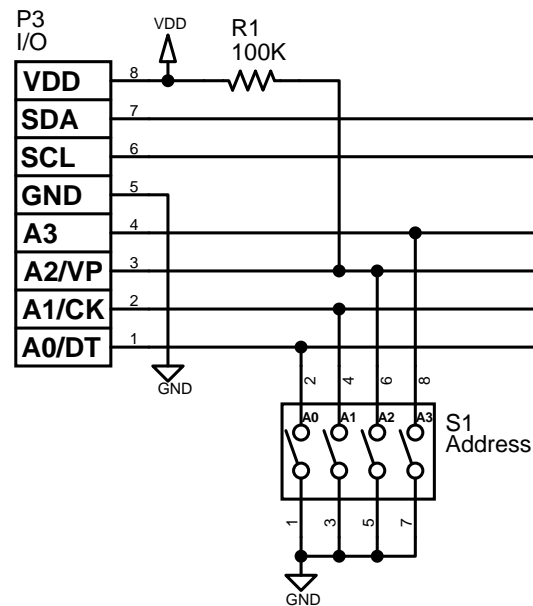
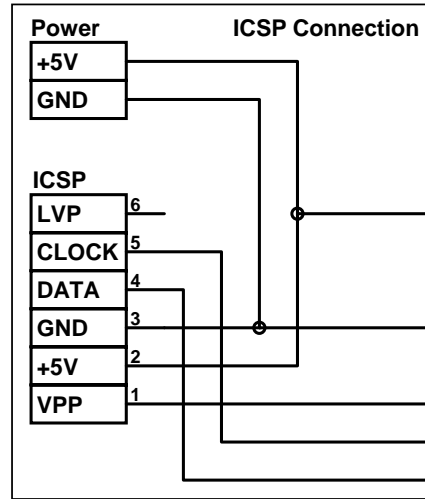


REVISION HISTORY			
REV	DESCRIPTION	APPROVED	DATE



APPROVALS		DATE	TITLE		
DRAWN	J TAYLOR	2007/04/15	SmartNixie I2C addressable module for IN18 nixie tube		
CHECKED					
ENGINEER					
PROJ ENGINEER			SIZE	FSCM NO.	DRAWING NO.
APPROVED			B		1361.DSN
QA			SCALE	NONE	©2009 Taylor Electronics Services
					SHEET 1 OF 1