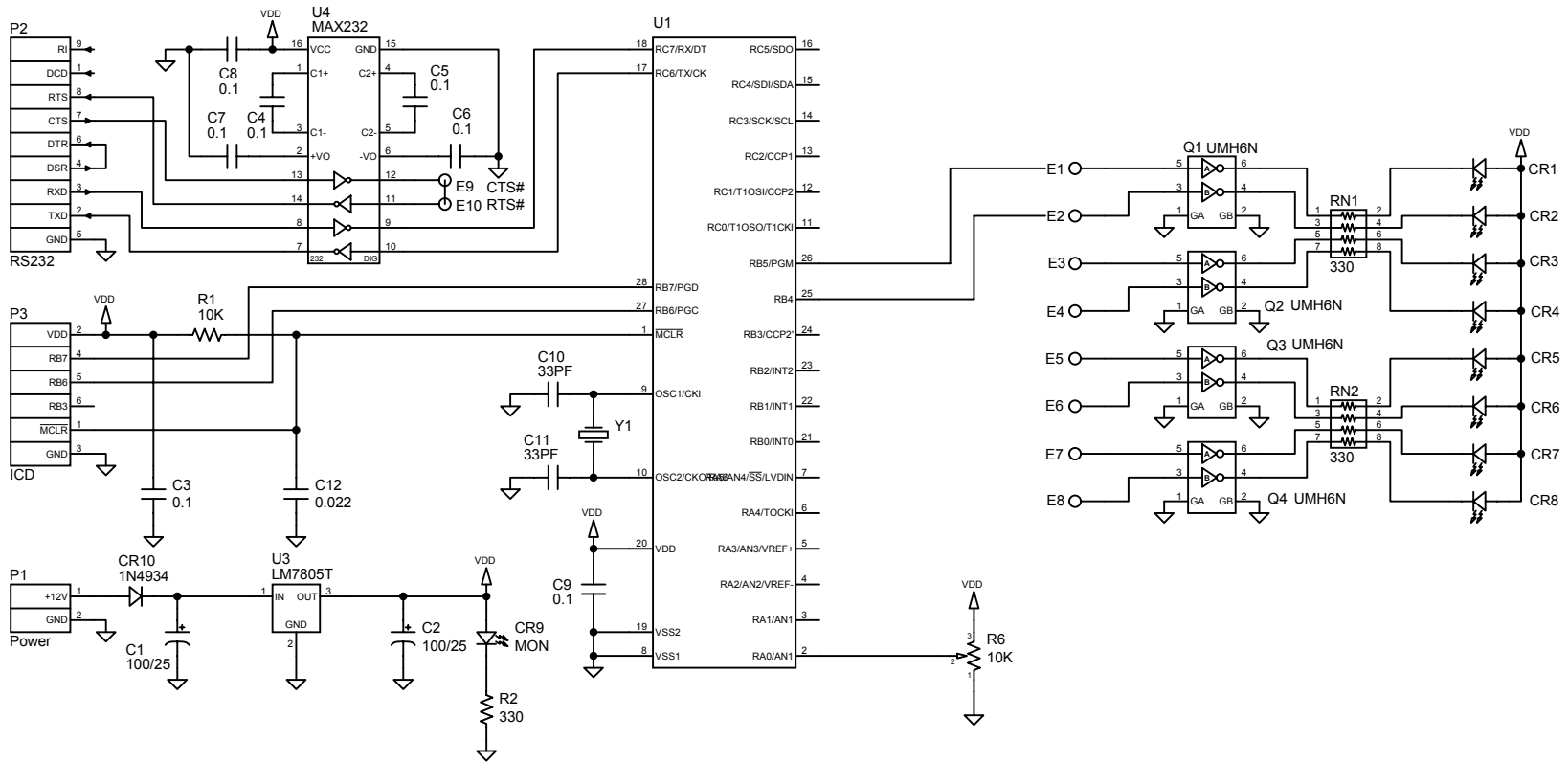


REVISION HISTORY			
REV	DESCRIPTION	APPROVED	DATE



APPROVALS		DATE	TITLE	
DRAWN	J TAYLOR	2005/01/07	QuickPIC-II, PIC16F876	
CHECKED			Ready Prototyping Board	
ENGINEER			SIZE	FSCM NO.
PROJ ENGINEER			B	DRAWING NO.
APPROVED				1321.DSN
			SCALE	REV.
			NONE	-
			MODIFIED: 07/21/05 9:26:25 AM	SHEET
				1 OF 1